

Reversing contactor assembly AC-3, 37 kW/400 V, 3-pole Size S3,  
Screw terminal 24 V DC Electrical and mechanical interlock !!!  
Phased-out product !!! Successor is SIRIUS 3RA2 Preferred  
successor type is >>3RA2338-8XB30-1NB3<<



<b>Size of contactor</b>	S3
<b>Product function</b>	Reversing contactor
protection class IP on the front	IP20
<b>Reference code acc. to DIN EN 81346-2</b>	Q
<b>Ambient temperature</b>	
• during operation	-25 ... +60 °C
<b>Operating current</b>	
• at AC-3 at 400 V rated value	80 A
Operating power at AC-3 at 400 V rated value	37 kW
<b>Type of voltage of the control supply voltage</b>	DC
<b>Control supply voltage 1</b>	
• at DC rated value	24 V
Number of NC contacts for auxiliary contacts per direction of rotation	0
Number of NO contacts for auxiliary contacts per direction of rotation	0
<b>Mounting type</b>	screw and snap-on mounting onto 35 mm standard mounting rail according to DIN EN 50022
<b>Height</b>	169 mm
<b>Width</b>	150 mm

Depth	152 mm
Type of electrical connection for main current circuit	screw-type terminals

#### Further information

**Information- and Downloadcenter (Catalogs, Brochures,...)**

<https://www.siemens.com/ic10>

**Industry Mall (Online ordering system)**

<https://mall.industry.siemens.com/mall/en/en/Catalog/product?mlfb=3RA1345-8XB30-1BB4>

**Cax online generator**

<http://support.automation.siemens.com/WW/CAXorder/default.aspx?lang=en&mlfb=3RA1345-8XB30-1BB4>

**Service&Support (Manuals, Certificates, Characteristics, FAQs,...)**

<https://support.industry.siemens.com/cs/ww/en/ps/3RA1345-8XB30-1BB4>

**Image database (product images, 2D dimension drawings, 3D models, device circuit diagrams, EPLAN macros, ...)**

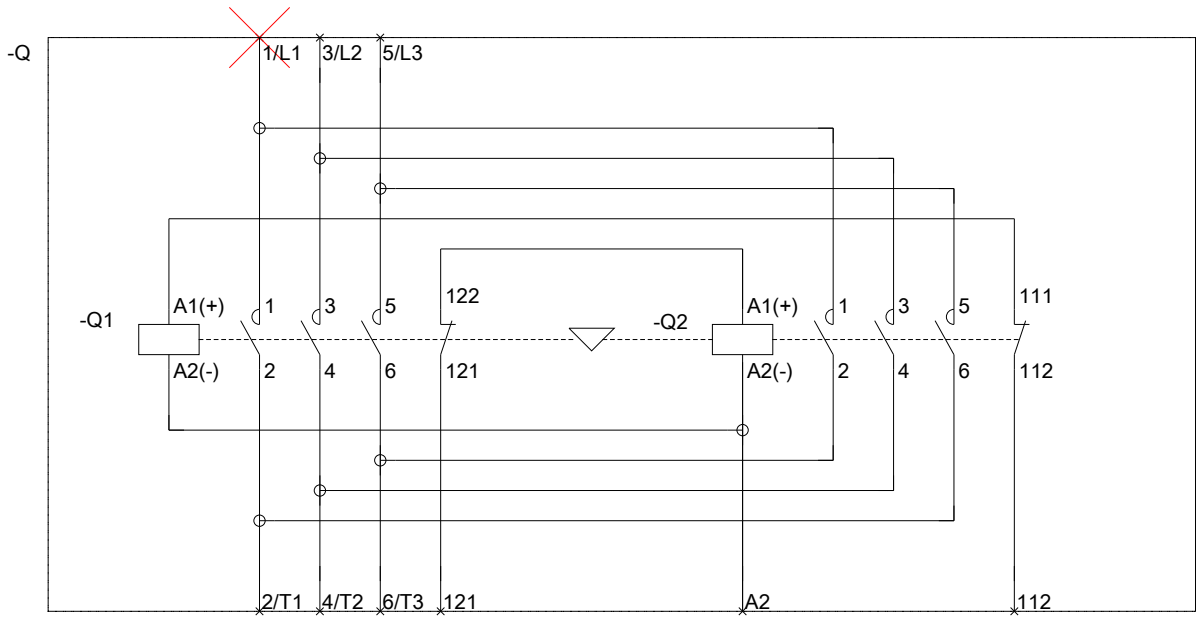
[http://www.automation.siemens.com/bilddb/cax\\_de.aspx?mlfb=3RA1345-8XB30-1BB4&lang=en](http://www.automation.siemens.com/bilddb/cax_de.aspx?mlfb=3RA1345-8XB30-1BB4&lang=en)

**Characteristic: Tripping characteristics, I<sup>2</sup>t, Let-through current**

<https://support.industry.siemens.com/cs/ww/en/ps/3RA1345-8XB30-1BB4/char>

**Further characteristics (e.g. electrical endurance, switching frequency)**

<http://www.automation.siemens.com/bilddb/index.aspx?view=Search&mlfb=3RA1345-8XB30-1BB4&objecttype=14&gridview=view1>



last modified:

08/13/2020