

SITOR fuse holder 630 A 1800 V 1-pole with bolt terminal with fixing dimension 170 mm



Model	
product brand name	SENTRON
Product designation	LV HRC fuse system
Design of the thread / of the connection screw	M10
Design of the product	LV HRC fuse base for screw fixing
General technical data	
number of poles	1
Usage category	Without
Supply voltage	
Operating current / at AC / rated value	630 A
Supply voltage	
• at AC / rated value	1 800 V
• at DC	1 800 V
Current	
Tripping residual / rated value / derated current / at 40 Cel	579.6 A
Product details	

Product component / Swivel mechanism	No
--------------------------------------	----

Connections

Tightening torque / with screw-type terminals / maximum	20 N·m
<ul style="list-style-type: none"> • type of electrical connection 	for mounting on mounting plate
<ul style="list-style-type: none"> • Type of electrical connection / for main current circuit 	Stud terminal

Mechanical Design

Height	211 mm
Width	55 mm
Mounting type	fixed mounting
Mounting type <ul style="list-style-type: none"> • bus-mounting 	No
net weight	700 g

Certificates

<ul style="list-style-type: none"> • reference code / acc. to DIN EN 61346-2 	F
<ul style="list-style-type: none"> • Reference code / acc. to DIN EN 81346-2 	F

Further information

Information- and Downloadcenter (Catalogs, Brochures,...)

<http://www.siemens.com/lowvoltage/catalogs>

Industry Mall (Online ordering system)

<https://mall.industry.siemens.com/mall/en/en/Catalog/product?mfb=3NH5473>

Service&Support (Manuals, Certificates, Characteristics, FAQs,...)

<https://support.industry.siemens.com/cs/ww/en/ps/3NH5473>

Image database (product images, 2D dimension drawings, 3D models, device circuit diagrams, ...)

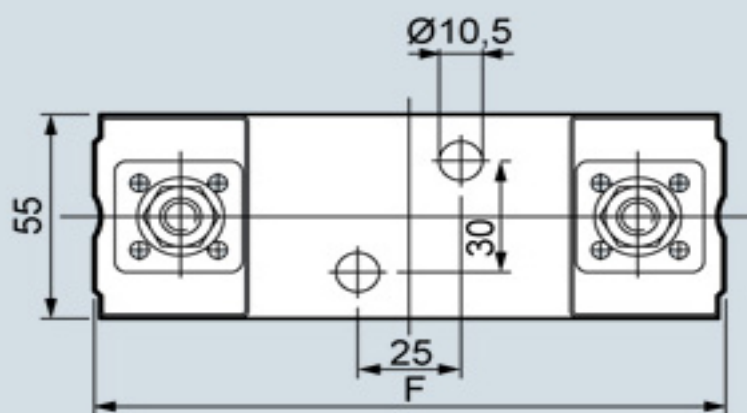
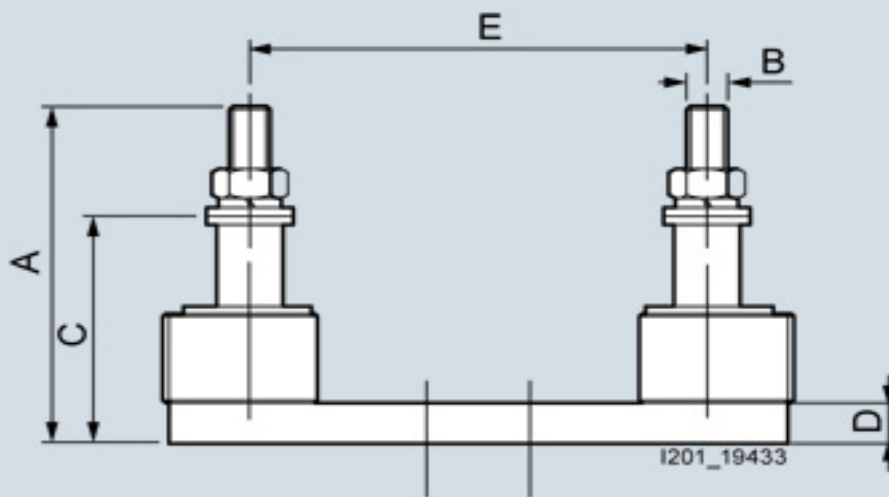
http://www.automation.siemens.com/bilddb/cax_en.aspx?mfb=3NH5473

CAX-Online-Generator

<http://www.siemens.com/cax>

Tender specifications

<http://www.siemens.com/specifications>



Type	Dimensions					
	A	B	C	D	E	F
3NH5463	94	M10	65	11	110	153
3NH5473	101	M10	72	11	170	211