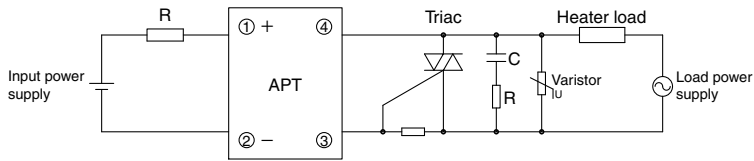


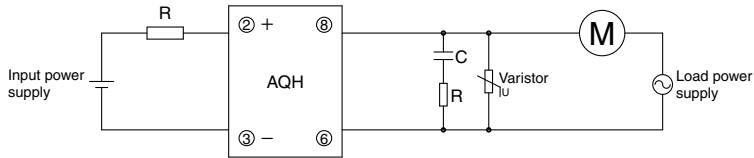
# Phototriac Coupler/AQ-H Application Examples

## Typical Applications

### 1. Temperature control for heater control



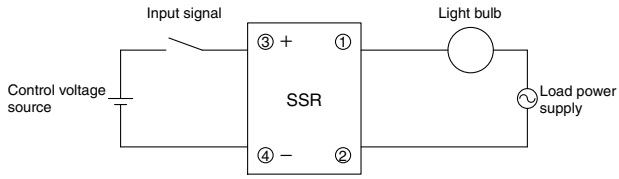
### 2. Airflow control for fan motors



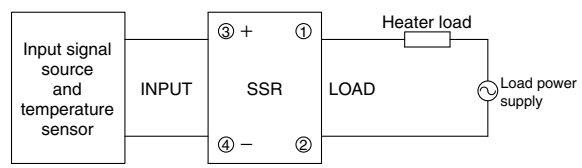
# SSR Application Examples

## Typical Applications

### 1. Light Bulb

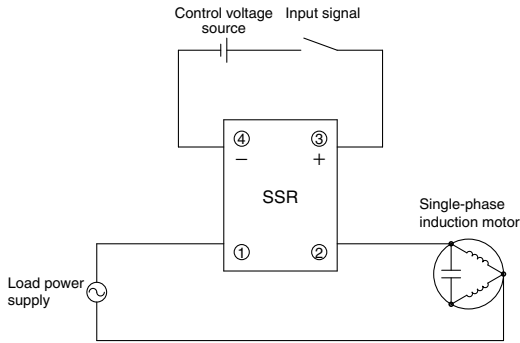


### 2. Electric Furnace Temperature Control

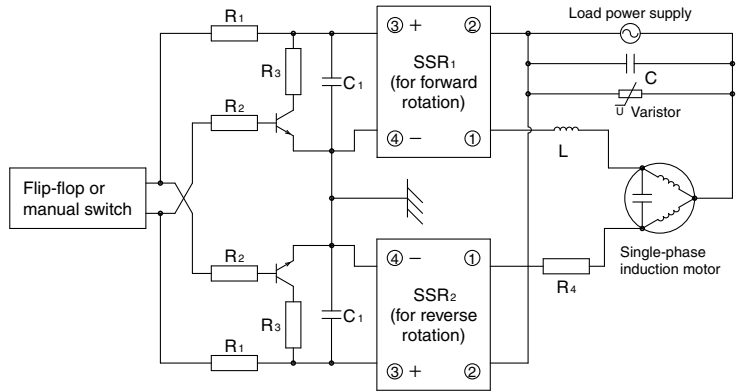


\* KT Temperature Controller is available.

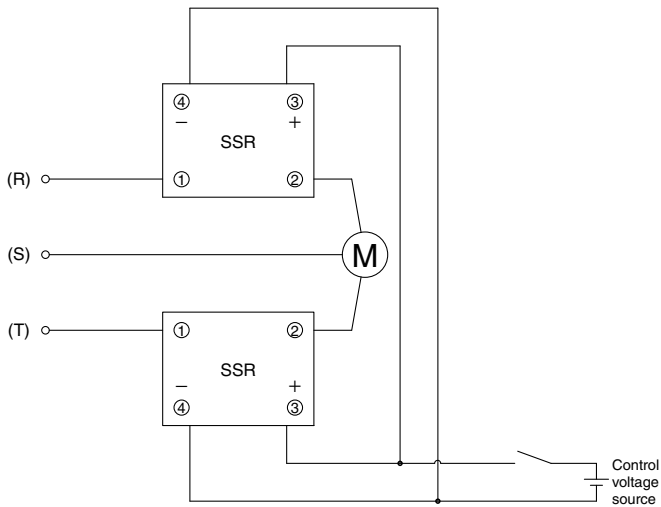
### 3. Single-Phase Induction Motor Control



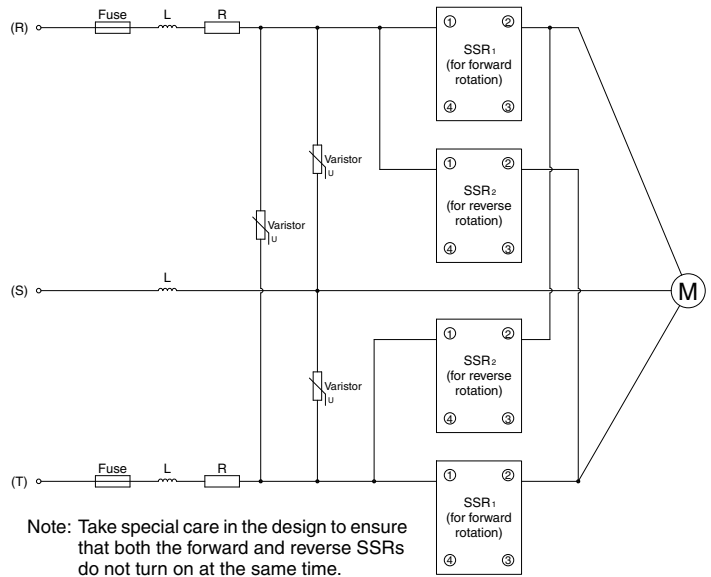
### 4. Reversible Control for a Single-Phase Induction Motor



### 5. Three-Phase Induction Motor Control



### 6. Reversible Control for a Three-Phase Induction Motor



## Recommended Temperature Controllers



### <KT4H Temperature Controller>

Our temperature controller is recommended for use with our Solid State Relays.

#### Features

- Space saving requiring only a depth of 65 mm
- Data collection possible through a PLC using RS485 communication
- Tool port is standard for easy data setting
- Inverted LCD + backlight for good legibility with large characters
- Excellent operability and rich optional control functions

#### Substitute part numbers

Power supply	Control output	Part No.
100 to 240 V AC	Non-contact voltage output	AKT4H112100

\* For detailed product information about temperature controllers, please refer to our website:  
<https://industrial.panasonic.com/ac/e/>