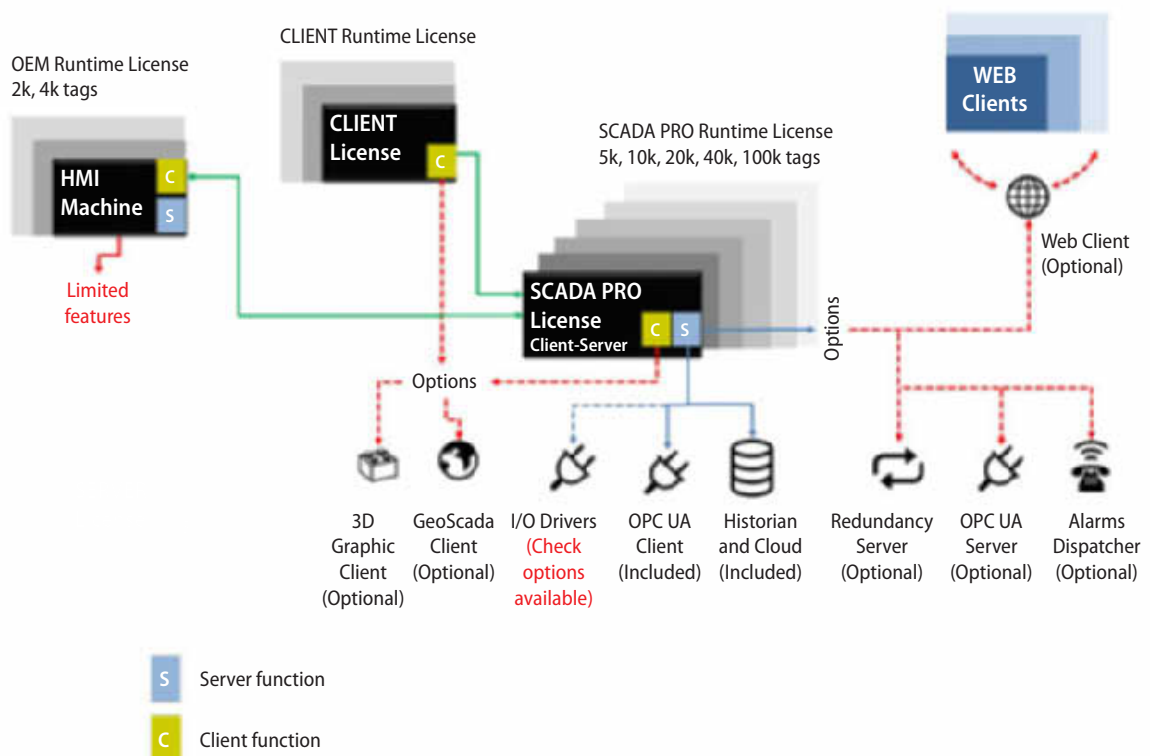




Modern, simple and effective SCADA/HMI technology

- Scalable solution: One unique editor from Windows™ 10 (Win32/64) to Windows™ CE
- Projects are simple XML files that can be opened and edited with any other editor
- Real-time data management
- Drivers, OPC UA and DA connectivity
- Powerful and simple editor
- Reports, Trends and Data Analysis
- Scalable vectorial graphics
- Maximum level of protection
- Web enabled HTML5
- CFR 21 Part 11 ready

System configuration



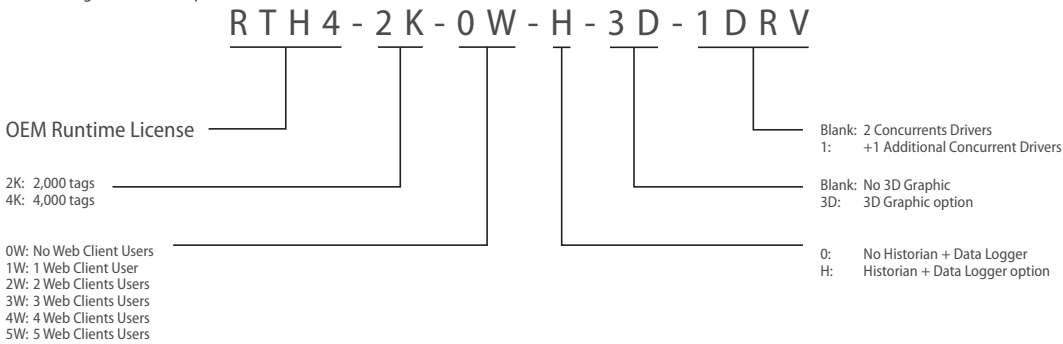
Ordering information

Software license types

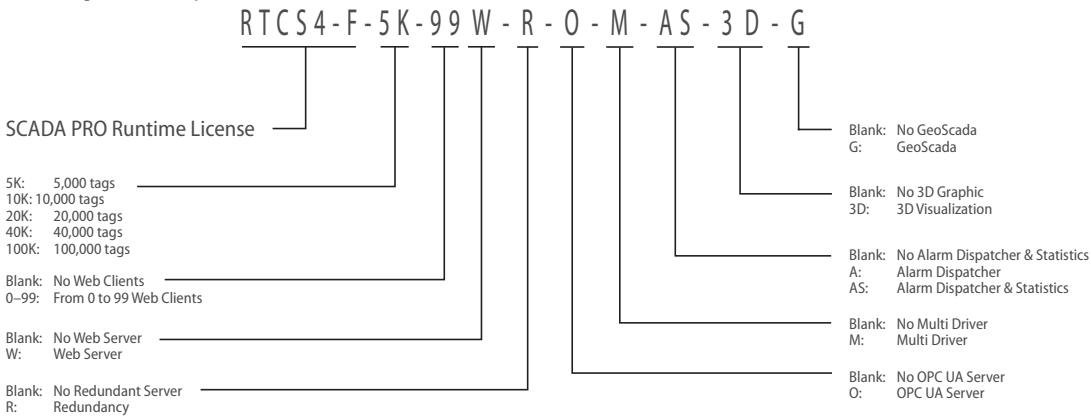
Type		Order code
Movicon Development Editor* ¹	Editor comes complete with first level development wizards to create projects that require run-time licenses. Complete with all the necessary functions, libraries and drivers. <ul style="list-style-type: none"> • Does not include XAML source code for symbol libraries • Functions with a 2-hour Runtime limit • 1 year access mail support from PROGEA 	1 installation
		Pack 3 installations
		Pack 10 installations
OEM Runtime License	Movicon Omron OEM Machine Edition with I/O Data Server and Client. <ul style="list-style-type: none"> • Includes 1 Basic Automation Driver + 1 Automation Driver (up to 2 simultaneous drivers) • Unlimited number of screens and alarms 	RTH4-□ ²
SCADA Pro Runtime License	<ul style="list-style-type: none"> • Local Runtime Client/Server includes all the standard functions + Historian SQL + Reports. • For Servers, the license size is calculated by the number of tags connected to the field. Clients have no tag limit. • I/O Drivers 'Basic' pack is always included. • The SCADA PRO version includes "Automation" driver packs. • Max. no. 2 simultaneous drivers are always included. 	RTCS4-F-□ ³
CLIENT Runtime License	<ul style="list-style-type: none"> • "Client Only" License for remote PC workstations. Project can be local or centralized. • Number of tags related to the data managed on Client and in use towards the server (any data type). • The Client license provides a number of connectable tags towards any Movicon network server and third party OPC UA Server. • The Client always counts any type of tag connect to any server that are in use on Client (independently from that fact that whether or not data type is connected to the field). • Client projects can be local (distributed) or centralized on server. 	RTC4-□ ⁴

*¹ Movicon Development Editor is the same for OEM and SCADA PRO Runtime Licenses.

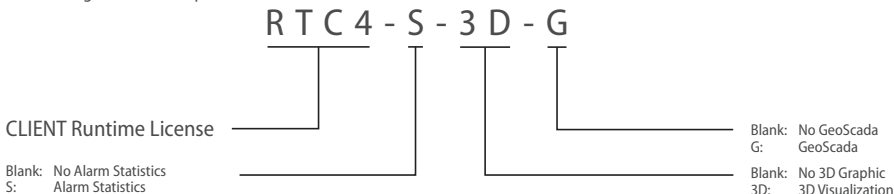
*² Ordering information options for OEM Runtime License:



*³ Ordering information options for SCADA PRO Runtime License:



*⁴ Ordering information options for CLIENT Runtime License:



Specifications

License types

Type	Description
Development	Editor License to develop any type of application.
SCADA PRO	Client/Server License for SCADA/Machine Edition solutions.
OEM	Client/Server License for HMI systems reserved for machine builders.
Server	License for I/O Data Server applications and connectivity, without HMI.
Client	License for HMI visualization applications, connectable to any Movicon Server or any other OPC UA Server. A local licence with the appropriate number of tags is required.
Web Client	Remote access to Movicon Server using any browser or APP. Remote users do not need a local license but the appropriate option on the Server License needs to be enabled according to the number of users concurrently connecting. The server also enables the client tag size. The Web Server application can also be deployed on different PCs in respect to the I/O Data Server, and connect to different OPC UA Servers.

License sized by tag (variable count)

TAG means any variable “connected to the field” in bit, byte, word, float and double/long 64bit, even when defined as an array or structure member. Single bits of the byte, word and other variable types can be pointed to.

Note: Each member in Structure and Array variable types count as one tag.

Note: Internal tags are not counted (those not connected to the field).

Tag count

Tags are counted according to the instance type, being either server or client, as follows:

Instance type	Description
Server	Number of “tags” declared into the project, exchanged with the field.
Remote Clients and Web	Number of tags used in active screens and connected to servers (independently of whether a Movicon or third party OPC UA Server).

Options available

Each license comes with optional features according to license type as indicated in the Ordering information.

Runtime License features

	OEM License	SCADA PRO License	CLIENT License
I/O tags	Up to 4,000	Up to 100,000	Up to 100,000
Server	■	■	-
Client	■	■	■
HMI Screens WPF/XAML	■	■	■
XAML Symbols Libraries and Toolbox	■	■	■
Power Templates	■	■	■
Alarms Management	■	■	■
Alarms Viewers	■	■	■
Historical Log/Event Manager	■	■	Only reports
Historical Log/Event Viewers	■	■	Only reports
Shortcut commands	■	■	■
Menu commands	■	■	■
Networking	■	■	■
TouchScreen – Multi-touch	■	■	■
String texts - Multi-language	■	■	■
Scripts VB.NET Multithreading	■	■	■
.NET Assembly support	■	■	■
IP Camera	■	■	■
Kinect Gestures + Speech Recognition	■	■	■
Scheduler Server	■	■	-
Recipes Module	■	■	■
Child Projects	-	■	■
User & Password Management	■	■	■
Historian & Data Logging	<input type="checkbox"/> Optional	■	-
Reports Manager + Data Analysis		■	■
Redundancy	-	<input type="checkbox"/> Optional	■
3D Graphic animations	<input type="checkbox"/> Optional	<input type="checkbox"/> Optional	<input type="checkbox"/> Optional
Geo Scada (Dynamic Maps Manager)	<input type="checkbox"/> Optional	<input type="checkbox"/> Optional	<input type="checkbox"/> Optional
I/O Drivers run simultaneously	2	2	-
I/O Drivers Extended (Max 32)	-	<input type="checkbox"/> Optional	-
I/O Drivers "Basic" (OPC UA Client, Modbus)	■	■	■
I/O Drivers "Automation Pack"	■	■	-
OPC UA Server	-	<input type="checkbox"/> Optional	-
Alarms Statisticals (Downtime Analyzer)	-	<input type="checkbox"/> Optional	<input type="checkbox"/> Optional
Alarms Dispatcher (SMS/ Voice/ E-mails)	-	<input type="checkbox"/> Optional	-
Web Client HTML5/APPs (1 to 100)	<input type="checkbox"/> Optional (1-5 Web Clients)	<input type="checkbox"/> Optional (1-99 Web Clients)	-