

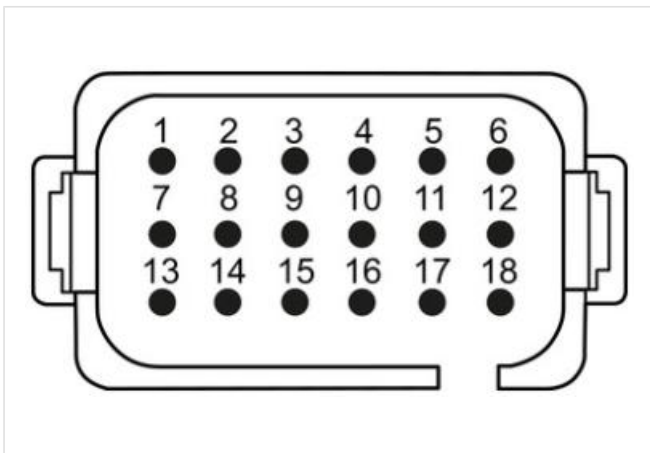
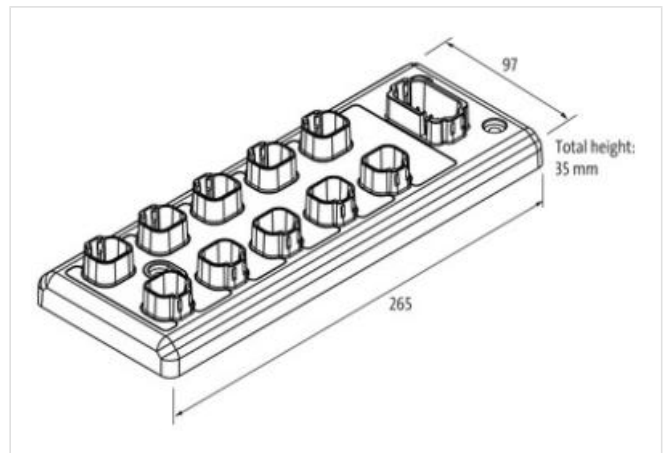
## xtremeDB PVE Module SAE J1939, 8 PVE-OUT parameterizable

PVE-Mode: PVEA, PVEH, PVES, (PVEO)

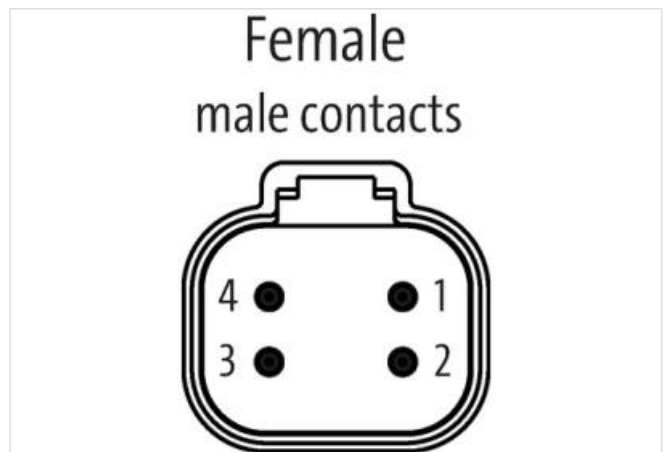
Robust, fully potted bus module with 8 DT signal ports  
For use in extreme environments, special vehicles and mobile machines  
Connection cables are in the online shop under "Connection Technology".

### [Link to Product](#)

#### Illustration



Product may differ from Image



#### General data

Standards	ISO 13766-1 / -2
Mounting method	3 hole screw mounting M5
Temperature range	-40...+80 °C (storage temperature -40...+85 °C)
Protection	IP68 / IP69K (with MDC connection cables)
Dimensions HxWxD	35x97x265 mm

#### Output

Actuator supply UA	8...32 V DC, max. 3x 13 A
Switching current per output	max. 3 A PVEO / max. 0.1 A PVE (A/H/S)

#### CAN SAE J1939

Protocols	CAN SAE J1939, CAN Layer 2.0B
Addressing	Node-ID 224 (0xE0h), Offset per Jumper +1...+15
Transfer rate	250/500 kbit/s

#### Connections

I/O ports	DT-4P, 4-polig, max. 13 A
Sensor-system supply	DT-4P, 4-pole, max. 8 A
Actuator supply	DT 18-pole, A-coded

#### Protection

Reverse polarity protection module	yes
------------------------------------	-----

Product article number of manufacturer	DP-34044-7-000
--	----------------

#### Diagnostic

Communication status	via LED
Diagnostic via LED	per module and channel
Diagnostic via BUS	per module and channel
Monitoring - under voltage	yes
Monitoring - no voltage	yes
Short-circuit and overload	yes