

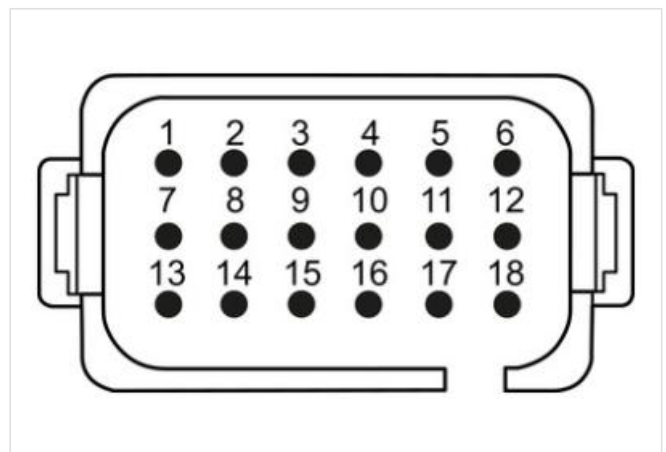
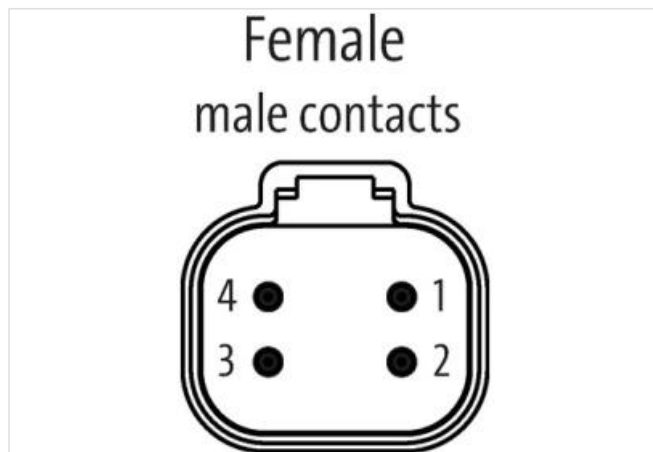
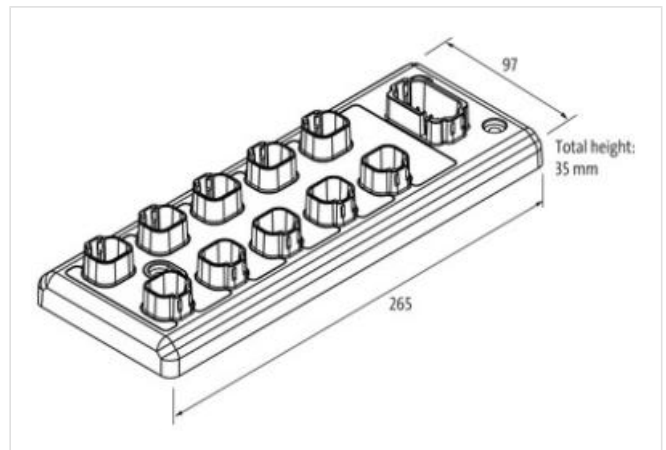
xtremeDB PWM OUT Module SAE J1939, 16 OUT parameterizable

2D0-10A/14DO-4A/14PWM(i)-4A

Robust, fully potted bus module with 8 DT signal ports
For use in extreme environments, special vehicles and mobile machines
Connection cables are in the online shop under "Connection Technology".

[Link to Product](#)

Illustration



Product may differ from Image



General data

Standards	ISO 13766-1 / -2 EMC Directive (2014/30/EU)
Mounting method	3 hole screw mounting M5
Temperature range	-40...+80 °C (storage temperature -40...+85 °C)
Protection	IP68 / IP69K (with MDC connection cables)
Dimensions HxWxD	35x97x265 mm

Output

The information in this brochure has been compiled with the utmost care.
Liability for the correctness completeness and topicality of the information is restricted to gross negligence. Version: 2022-12-31

Actuator supply UA	8...32 V DC, max. 4× 13 A
Switching current per output	max. 4 A DO/PWM/PWMI / max. 10 A DO

CAN SAE J1939

Protocols	CAN SAE J1939, CAN Layer 2.0B
Addressing	Node-ID 224 (0×E0h), Offset per Jumper +1...+15
Transfer rate	250/500 kbit/s

Connections

I/O ports	DT-4P, 4-polig, max. 13 A
Sensor-system supply	DT-4P, 4-pole, max. 8 A
Actuator supply	DT 18-pole, A-coded

Protection

Reverse polarity protection module	yes
------------------------------------	-----

Product article number of manufacturer	DP-34044-3-000
--	----------------

Diagnostic

Communication status	via LED
Diagnostic via LED	per module and channel
Diagnostic via BUS	per module and channel
Monitoring - under voltage	yes
Monitoring - no voltage	yes
Short-circuit and overload	yes