

## MTS Single-phase control and isolation transformer

P:400VA IN:230-400±15VAC OUT:230VAC

Single-phase - Control and Isolation Transformers

400 VA

230/400 ±15 V AC

Isolation class T 40/B

Other voltages on request.

### [Link to Product](#)

#### Illustration



Product may differ from Image

#### Approvals



#### General data

Test isolation voltage	4 kV (prim./sec.)
Standards	EN 61558-1, EN 61558-2-4, EN 62041 category 0
Drill hole Ø	5.8×10 mm
Fixing centers a×b×c	86.5×90×5.8 mm
Mounting method	Key-hole mounting
Dimensions H×W×D	104×120×123 mm
Temperature range	-20...+40 °C (storage temperature -20...+80 °C)

#### Output

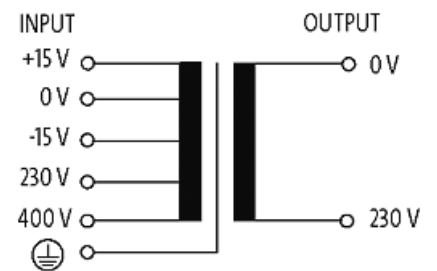
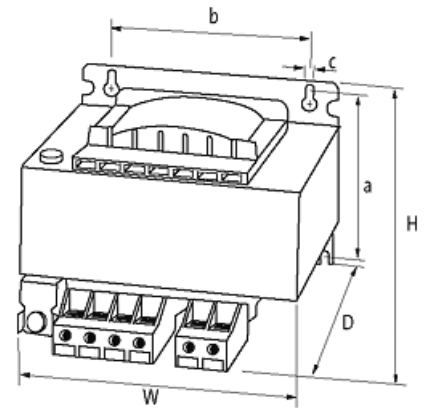
Output voltage	230 V AC
Output rating	400 VA

#### Input

Input voltage	230/400 ±15 V AC
Input current	1.89 A (230 V AC); 1.1 A (400 V AC)
Inrush current	33 A (230 V AC); 19 A (400 V AC)
Short-circuit current	37 A (230 V AC); 21 A (400 V AC)
Frequency	50...60 Hz

**Commercial data**

country of origin	CZ
customs tariff number	85043180
EAN	4048879572613
eClass	27031202
Packaging unit	1

**Sketch**

Product may differ from Image