

MST SINGLE-PHASE CONTROL AND ISOLATION TRANSFORMER

P:800VA IN:110VAC OUT:230VAC

Single-phase - Control and Isolation Transformers
 800 VA
 Isolation class T 40/B
 Other voltages on request.

[Link to Product](#)**Illustration**

Product may differ from Image

Approvals**General data**

| | |
|------------------------|---|
| Standards | EN 61558-1, EN 61558-2-4, EN 62041 category 0 |
| Test isolation voltage | 4 kV (prim./sec.) |
| Mounting method | Key-hole mounting |
| Temperature range | -20...+40 °C (storage temperature -40...+80 °C) |
| Dimensions H×W×D | 129×150×145 mm |
| Fixing centers a×b×c | 107.5×122×7 mm |
| Drill hole Ø | 7×11 mm |

Output

| | |
|----------------|----------|
| Output voltage | 230 V AC |
| Output rating | 800 VA |

Input

| | |
|-----------------------|------------------|
| Input voltage | 110 V AC |
| Input current | 3.8 A (110 V AC) |
| Inrush current | 83 A (110 V AC) |
| Short-circuit current | 219 A (110 V AC) |
| Frequency | 50...60 Hz |

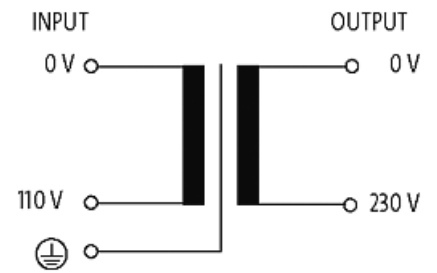
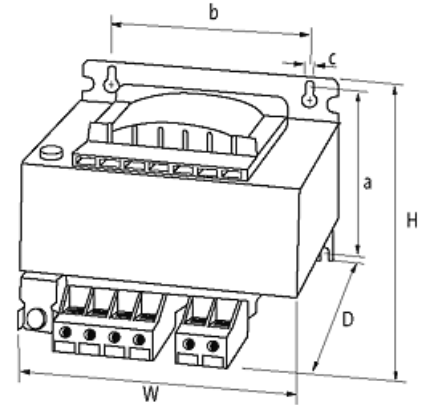
Commercial data

The information in this brochure has been compiled with the utmost care.

Liability for the correctness completeness and topicality of the information is restricted to gross negligence. Version: 02/21

Murrelektronik GmbH | Falkenstraße 3 | 71570 Oppenweiler | Fon +49 (71 91) 47-0 | Fax +49 (71 91) 47-491000 | shop@murrelektronik.com | shop.murrelektronik.com

| | |
|-----------------------|---------------|
| country of origin | CZ |
| customs tariff number | 85043180 |
| EAN | 4048879329002 |
| eClass | 27031202 |
| Packaging unit | 1 |

Sketch

Product may differ from Image