

**MST SINGLE-PHASE SAFETY TRANSFORMER**

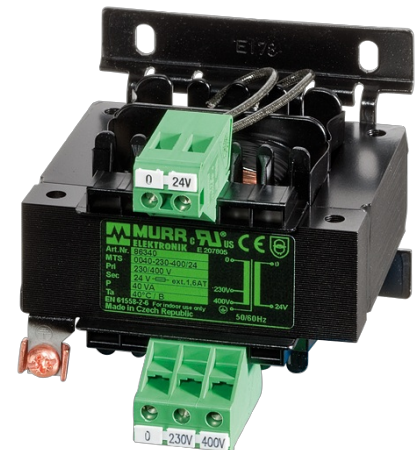
P:160VA IN:230VAC OUT:20VAC

Single-phase - Control and Isolation Transformers

160 VA

Isolation class T 40/B

Other voltages on request.

[Link to Product](#)**Illustration**

Product may differ from Image

**General data**

Standards	EN 61558-2-6, EN 62041 category 0
Test isolation voltage	3.8 kV
Mounting method	Key-hole mounting
Dimensions H×W×D	91×97×105 mm
Fixing centers a×b×c	75.3×84×5.8 mm
Drill hole Ø	5.8×12 mm
Temperature range	-20...+40 °C (storage temperature -40...+80 °C)

**Output**

Output voltage	20 V AC
Output rating	160 VA

**Input**

Input voltage	230 V AC
Input current	0.81 A (230 V AC)
Inrush current	6.6 A (230 V AC)
Short-circuit current	11.5 A (230 V AC)
Frequency	50...60 Hz

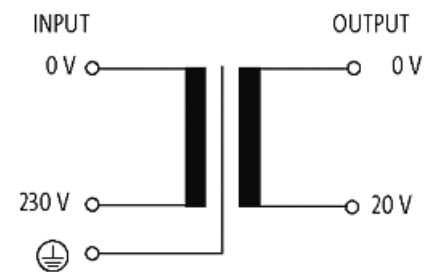
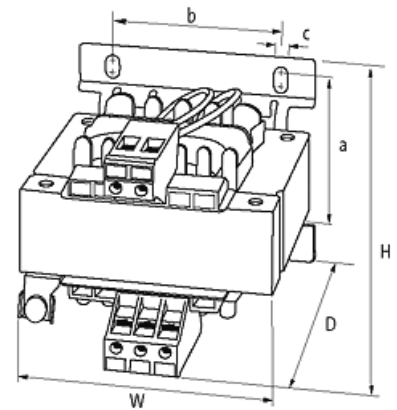
**Commercial data**

country of origin	CZ
customs tariff number	85043180
EAN	4048879318075
eClass	27031202
Packaging unit	1

The information in this brochure has been compiled with the utmost care.

Liability for the correctness completeness and topicality of the information is restricted to gross negligence. Version: 02/21

Murrelektronik GmbH | Falkenstraße 3 | 71570 Oppenweiler | Fon +49 (71 91) 47-0 | Fax +49 (71 91) 47-491000 | shop@murrelektronik.com | shop.murrelektronik.com

**Sketch**

Product may differ from Image