

MST SINGLE-PHASE SAFETY TRANSFORMER

P:100VA IN:230VAC OUT:20VAC

Single-phase - Control and Isolation Transformers
 100 VA
 Isolation class T 40/B
 Other voltages on request.

[Link to Product](#)**Illustration**

Product may differ from Image

General data

Standards	EN 61558-2-6, EN 62041 category 0
Test isolation voltage	3.8 kV
Mounting method	Key-hole mounting
Dimensions H×W×D	88×85×95 mm
Fixing centers a×b×c	65.3×64×4.8 mm
Drill hole Ø	4.8×12 mm
Temperature range	-20...+40 °C (storage temperature -40...+80 °C)

Output

Output voltage	20 V AC
Output rating	100 VA

Input

Input voltage	230 V AC
Input current	0.52 A (230 V AC)
Inrush current	5 A (230 V AC)
Short-circuit current	7 A (230 V AC)
Frequency	50...60 Hz

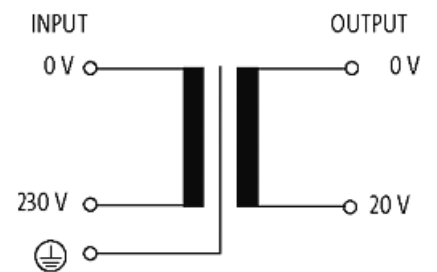
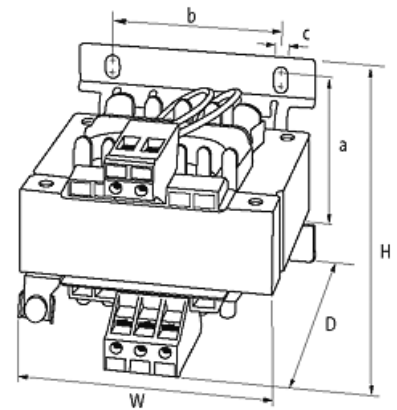
Commercial data

country of origin	CZ
customs tariff number	85043180
EAN	4048879318068
eClass	27031202
Packaging unit	1

The information in this brochure has been compiled with the utmost care.

Liability for the correctness completeness and topicality of the information is restricted to gross negligence. Version: 02/21

Murrelektronik GmbH | Falkenstraße 3 | 71570 Oppenweiler | Fon +49 (71 91) 47-0 | Fax +49 (71 91) 47-491000 | shop@murrelektronik.com | shop.murrelektronik.com

Sketch

Product may differ from Image