

## MET SINGLE-PHASE CONTROL AND ISOLATION TRANSFORMER

P:1000VA IN:400VAC±5% OUT:110VAC

Single-phase - Control and Isolation Transformers  
1000 VA  
Isolation class T 40/B

### [Link to Product](#)

#### Illustration



Product may differ from Image

#### Approvals



#### General data

Standards	EN 61558-1, EN 61558-2-4, EN 62041 category 0
Test isolation voltage	5.8 kV (prim./sec.)
Fixing centers a×b×c	111.5×135×7 mm
Dimensions H×W×D	140×174×163 mm
Drill hole Ø	7×11 mm
Mounting method	screw fixing
Temperature range	-20...+60 °C (storage temperature -20...+80 °C)

#### Output

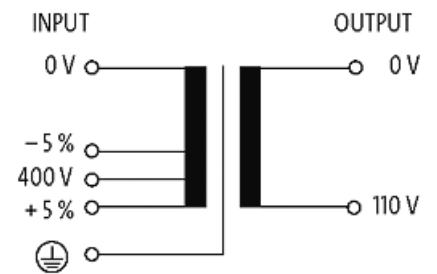
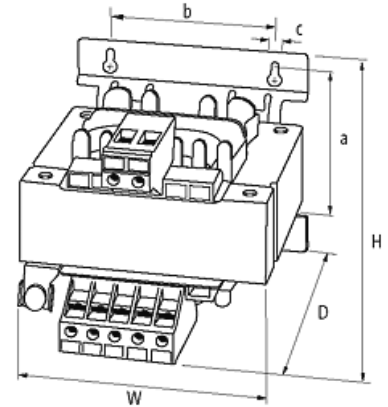
Output voltage	110 V AC
Output rating	1000 VA

#### Input

Input voltage	400 V AC ±5%
Input current	2.67 A (400 V AC)
Inrush current	50 A (400 V AC)
Short-circuit current	92 A (400 V AC)
Frequency	50...60 Hz

#### Commercial data

country of origin	CZ
customs tariff number	85043180
EAN	4048879073875
eClass	27031202
Packaging unit	1

**Sketch**

Product may differ from Image