

MET SINGLE-PHASE CONTROL AND ISOLATION TRANSFORMER

P:1000VA IN:200/440VAC OUT:110/230VAC

Single-phase - Control and Isolation Transformers
1000 VA
Isolation class T 60/B

[Link to Product](#)**Illustration**

Product may differ from Image

Approvals**General data**

Standards	EN 61558-1, EN 61558-2-4, EN 62041 category 0
Test isolation voltage	4 kV (prim./sec.)
Mounting method	Key-hole mounting
Dimensions H×W×D	138×174×160 mm
Fixing centers a×b×c	112×135×7 mm
Drill hole Ø	7×15 mm
Temperature range	-20...+60 °C, no condensation

Output

Output voltage	110/230 V AC
Output rating	1000 VA

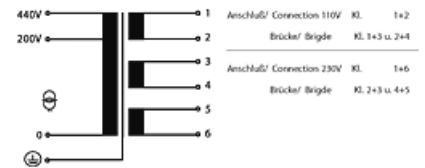
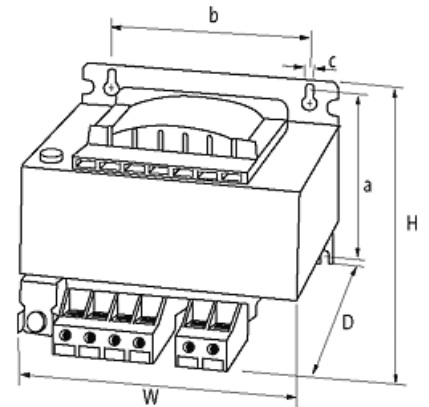
Input

Input voltage	200/440 V AC
Input current	5.6 A (200 V AC); 2.55 A (440 V AC)
Short-circuit current	158 A (200 V AC); 63 A (440 V AC)
Inrush current	124 A (200 V AC); 54 A (440 V AC)
Frequency	50...60 Hz

Commercial data

country of origin	CZ
customs tariff number	85043180
EAN	4048879073929
eClass	27031202
Packaging unit	1

Sketch



Product may differ from Image