

MST 1-PHASE CONTROL AND ISOLATION TRANSFORMER

P: 2500VA IN: 230/400VAC +/- 15VAC OUT: 2x115VAC

Single-phase - Control and Isolation Transformers
2500 VA
Isolation class T 40/B

[Link to Product](#)**Illustration**

Product may differ from Image

Approvals**General data**

Standards	EN 61558-1, EN 61558-2-4, EN 62041 category 0
Test isolation voltage	5.8 kV (prim./sec.)
Temperature range	-20...+40 °C, no condensation
Mounting method	Long-hole mounting
Dimensions H×W×D	182×192×196 mm
Fixing centers a×b×c	150×150×10 mm
Drill hole Ø	10×18 mm

Output

Output voltage	1× 230, 1× 115, 2× 115 V AC
Output rating	2500 VA

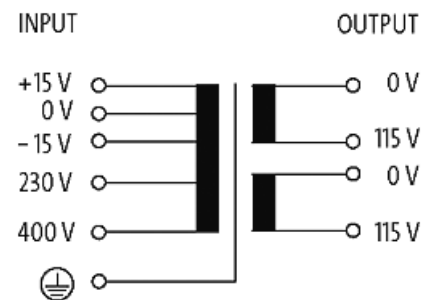
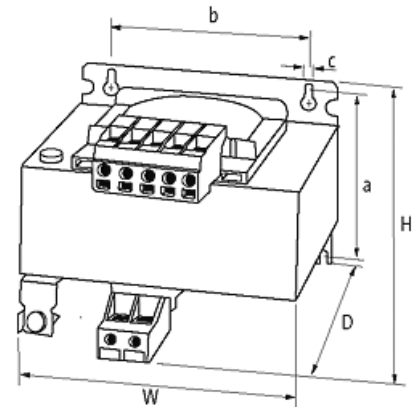
Input

Input voltage	230/400 ±15 V AC
Frequency	50...60 Hz
Inrush current	234 A (230 V AC); 107 A (400 V AC)
Short-circuit current	532 A (230 V AC); 302 A (400 V AC)
Input current	11.4 A (230 V AC); 6.6 A (400 V AC)

Commercial data

country of origin	CZ
customs tariff number	85043200
EAN	4048879366892
eClass	27031302
Packaging unit	1

Sketch



Product may differ from Image