

MST 1-PHASE CONTROL AND ISOLATION TRANSFORMER

P: 630VA IN:230/400VAC+/-15VAC OUT: 2x115VAC

Single-phase - Control and Isolation Transformers
630 VA
Isolation class T 40/B

[Link to Product](#)

Illustration



Product may differ from Image

Approvals



General data

Standards	EN 61558-1, EN 61558-2-4, EN 62041 category 0
Test isolation voltage	5.8 kV (prim./sec.)
Temperature range	-20...+40 °C, no condensation
Dimensions H×W×D	112.5×150×146 mm
Fixing centers a×b×c	90.5×122×7 mm
Drill hole Ø	7×11 mm
Mounting method	Key-hole mounting

Output

Output voltage	1× 230, 1× 115, 2× 115 V AC
Output rating	630 VA

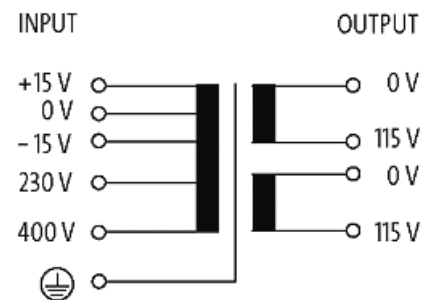
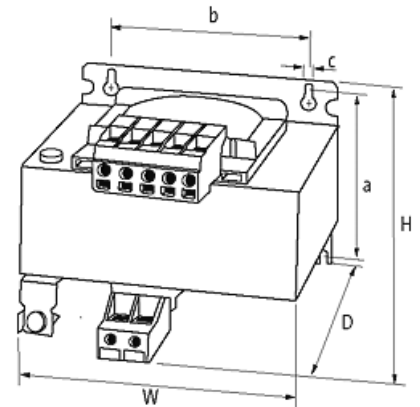
Input

Input voltage	230/400 ±15 V AC
Frequency	50...60 Hz
Inrush current	56 A (230 V AC); 26 A (400 V AC)
Short-circuit current	72 A (230 V AC); 39 A (400 V AC)
Input current	3 A (230 V AC); 1.7 A (400 V AC)

Commercial data

country of origin	CZ
customs tariff number	85043180
EAN	4048879366830
eClass	27031302
Packaging unit	1

Sketch



Product may differ from Image