

MST 1-PHASE SAFETY TRANSFORMER

P: 1600VA IN: 230/400VAC±15VAC OUT:2x24VAC

Single-phase safety transformer
1600 VA
Isolation class T 40/B

[Link to Product](#)

Illustration



Product may differ from Image

Approvals



General data

Standards	EN 61558-1, EN 61558-2-4, EN 62041 category 0
Test isolation voltage	5.8 kV (prim./sec.)
Mounting method	Key-hole mounting
Dimensions H×W×D	168×174×222 mm
Fixing centers a×b×c	141.5×135×7 mm
Drill hole Ø	7×11 mm
Temperature range	-20...+40 °C, no condensation

Output

Output voltage	1 x 24/1 x 48/2 x 24 V AC
Output rating	1600 VA

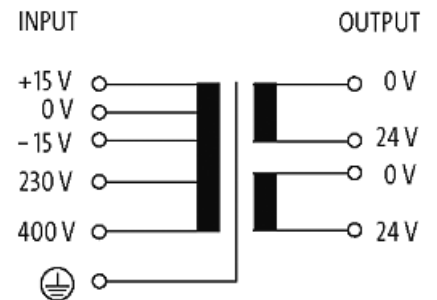
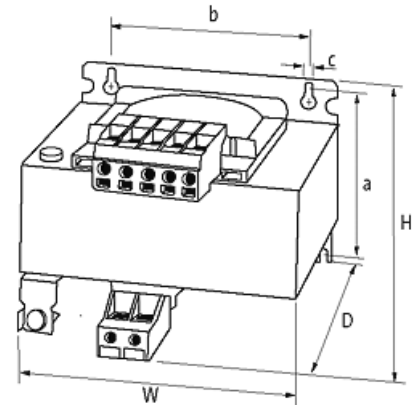
Input

Input voltage	230/400 ±15 V AC
Input current	7.3 A (230 V AC); 4.2 A (400 V AC)
Inrush current	135 A (230 V AC); 69 A (400 V AC)
Short-circuit current	275 A (230 V AC); 163 A (400 V AC)
Frequency	50...60 Hz

Commercial data

country of origin	CZ
customs tariff number	85043200
EAN	4048879366816
eClass	27031302
Packaging unit	1

Sketch



Product may differ from Image