

**MST 1-PHASE SAFETY TRANSFORMER**

P: 320VA IN: 230/400VAC +/- 15VAC OUT: 24VAC

Single-phase - Control and Isolation Transformers  
 320 VA  
 Isolation class T 40/B  
 Other voltages on request.

[Link to Product](#)**Illustration**

Product may differ from Image

**General data**

|                        |   |
|------------------------|---|
| Standards              | EN 61558-1, EN 61558-2-6, EN 62041 category 0   |
| Test isolation voltage | 5.8 kV (prim./sec.)                             |
| Mounting method        | Key-hole mounting                               |
| Dimensions H×W×D       | 92×120×122 mm                                   |
| Fixing centers a×b×c   | 74.4×90×5.8 mm                                  |
| Temperature range      | -20...+40 °C (storage temperature -40...+80 °C) |

**Output**

|                |         |
|----------------|---------|
| Output voltage | 24 V AC |
| Output rating  | 320 VA  |

**Input**

|                       |                                     |
|-----------------------|-------------------------------------|
| Input voltage         | 230/400 ±15 V AC                    |
| Input current         | 1.55 A (230 V AC); 0.9 A (400 V AC) |
| Inrush current        | 18 A (230 V AC); 11 A (400 V AC)    |
| Short-circuit current | 28 A (230 V AC); 16 A (400 V AC)    |
| Frequency             | 50...60 Hz                          |

**Commercial data**

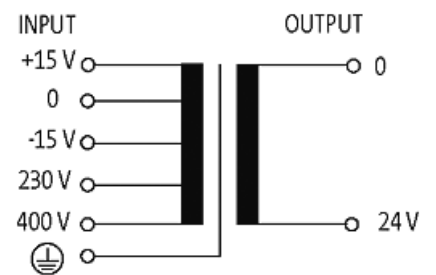
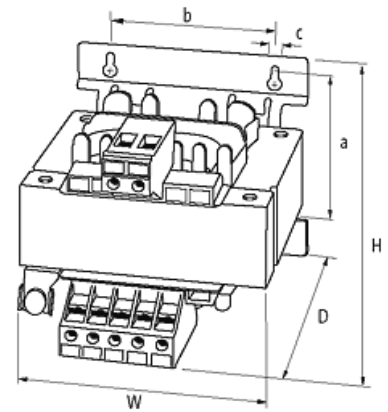
|                       |               |
|-----------------------|---------------|
| country of origin     | CZ            |
| customs tariff number | 85043180      |
| EAN                   | 4048879355216 |
| eClass                | 27031302      |
| Packaging unit        | 1             |

**Sketch**

The information in this brochure has been compiled with the utmost care.

Liability for the correctness completeness and topicality of the information is restricted to gross negligence. Version: 02/21

Murrelektronik GmbH | Falkenstraße 3 | 71570 Oppenweiler | Fon +49 (71 91) 47-0 | Fax +49 (71 91) 47-491000 | shop@murrelektronik.com | shop.murrelektronik.com



Product may differ from Image