

MST 1-PHASE CONTROL AND ISOLATION TRANSFORMER

P: 320VA IN: 230/400VAC +/- 15VAC OUT: 230VAC

Single-phase - Control and Isolation Transformers
 320 VA
 Isolation class T 40/B
 Other voltages on request.

[Link to Product](#)

Illustration



Product may differ from Image

General data

Standards	EN 61558-2-4, EN 62041 category 0
Test isolation voltage	5.8 kV (prim./sec.)
Mounting method	Key-hole mounting
Dimensions H×W×D	104×120×122 mm
Fixing centers a×b×c	86.4×90×5.8 mm
Temperature range	-20...+40 °C (storage temperature -40...+80 °C)

Output

Output voltage	230 V AC
Output rating	320 VA

Input

Input voltage	230/400 ±15 V AC
Input current	1.57 A (230 V AC); 0.9 A (400 V AC)
Inrush current	22 A (230 V AC); 13 A (400 V AC)
Short-circuit current	27 A (230 V AC); 16 A (400 V AC)
Frequency	50...60 Hz

Commercial data

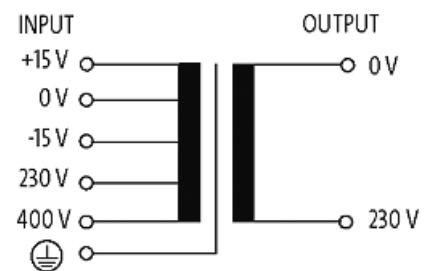
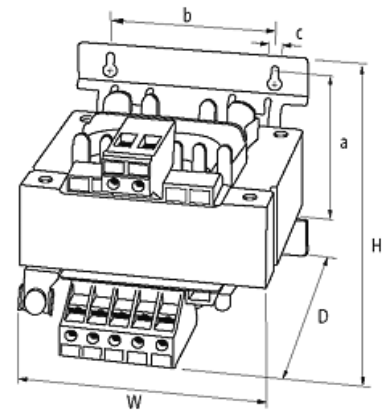
country of origin	CZ
customs tariff number	85043180
EAN	4048879372381
eClass	27031302
Packaging unit	1

Sketch

The information in this brochure has been compiled with the utmost care.

Liability for the correctness completeness and topicality of the information is restricted to gross negligence. Version: 02/21

Murrelektronik GmbH | Falkenstraße 3 | 71570 Oppenweiler | Fon +49 (71 91) 47-0 | Fax +49 (71 91) 47-491000 | shop@murrelektronik.com | shop.murrelektronik.com



Product may differ from Image