

MTS 1-PHASE SAFETY TRANSFORMER

P: 100VA IN: 230/400VAC OUT: 24VAC

Single-phase safety transformer
100 VA
Isolation class T 40/B
Other voltages on request.

[Link to Product](#)

Illustration



Product may differ from Image

Approvals



General data

| | |
|------------------------|----------------------------------------------------------|
| Standards | EN 61558-1, EN 61558-2-6, EN 62041 category 0 |
| Test isolation voltage | 4 kV (prim./sec.) |
| Mounting method | Long-hole mounting or DIN-rail mountable TH35 (EN 60715) |
| Temperature range | -20...+40 °C (storage temperature -40...+80 °C) |
| Dimensions H×W×D | 86×84×98 mm |
| Fixing centers a×b×c | 64.5×64×4.8 mm |
| Drill hole Ø | 4.8×8.4 mm |

Output

| | |
|----------------|----------------|
| Output voltage | 24 V AC (SELV) |
| Output rating | 100 VA |

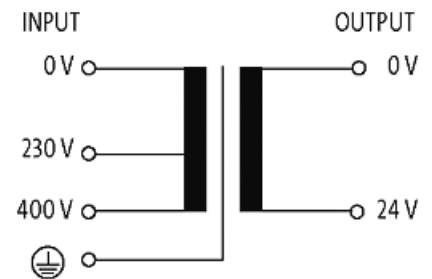
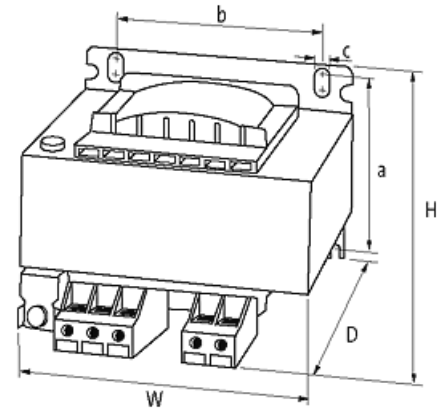
Input

| | |
|-----------------------|--------------------------------------|
| Input voltage | 230/400 V AC |
| Frequency | 50...60 Hz |
| Input current | 0.54 A (230 V AC); 0.31 A (400 V AC) |
| Inrush current | 3.5 A (230 V AC); 2 A (400 V AC) |
| Short-circuit current | 5 A (230 V AC); 2.98 A (400 V AC) |

Commercial data

The information in this brochure has been compiled with the utmost care.
Liability for the correctness completeness and topicality of the information is restricted to gross negligence. Version: 02/21

| | |
|-----------------------|---------------|
| country of origin | CZ |
| customs tariff number | 85043180 |
| EAN | 4048879078535 |
| eClass | 27031302 |
| Packaging unit | 1 |

Sketch

Product may differ from Image