

## MST 1-PHASE SAFETY TRANSFORMER

P: 1000VA IN: 230/400VAC OUT: 24VAC

Single-phase safety transformer  
1000 VA  
Isolation class T 40/B  
Other voltages on request.

### [Link to Product](#)

#### Illustration



Product may differ from Image

#### Approvals



#### General data

Standards	EN 61558-1, EN 61558-2-6, EN 62041 category 0
Test isolation voltage	4 kV (prim./sec.)
Mounting method	Key-hole mounting
Temperature range	-20...+40 °C (storage temperature -40...+80 °C)
Dimensions H×W×D	133.3×174×165 mm
Fixing centers a×b×c	102×135×7 mm
Drill hole Ø	7×11 mm

#### Output

Output voltage	24 V AC (SELV)
Output rating	1000 VA

#### Input

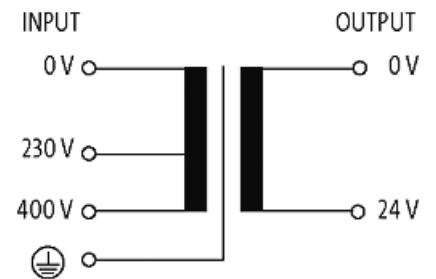
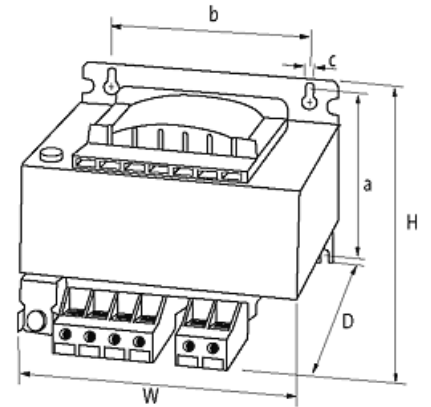
Input voltage	230/400 V AC
Frequency	50...60 Hz
Input current	4.73 A (230 V AC); 2.72 A (400 V AC)
Inrush current	66 A (230 V AC); 38 A (400 V AC)
Short-circuit current	148 A (230 V AC); 85 A (400 V AC)

#### Commercial data

The information in this brochure has been compiled with the utmost care.  
Liability for the correctness completeness and topicality of the information is restricted to gross negligence. Version: 02/21

Murrelektronik GmbH | Falkenstraße 3 | 71570 Oppenweiler | Fon +49 (71 91) 47-0 | Fax +49 (71 91) 47-491000 | shop@murrelektronik.com | shop.murrelektronik.com

country of origin	CZ
customs tariff number	85043180
EAN	4048879078566
eClass	27031302
Packaging unit	1

**Sketch**

Product may differ from Image