

## MST 1-PHASE SAFETY TRANSFORMER

P: 320VA IN: 230/400VAC OUT: 24VAC

Single-phase safety transformer  
320 VA  
Isolation class T 40/B  
Other voltages on request.

### [Link to Product](#)

#### Illustration



Product may differ from Image

#### Approvals



#### General data

Standards	EN 61558-1, EN 61558-2-6, EN 62041 category 0
Test isolation voltage	4 kV (prim./sec.)
Mounting method	Key-hole mounting
Temperature range	-20...+40 °C (storage temperature -40...+80 °C)
Dimensions H×W×D	92×120×122.4 mm
Fixing centers a×b×c	74.4×90×5.8 mm
Drill hole Ø	5.8×10 mm

#### Output

Output voltage	24 V AC (SELV)
Output rating	320 VA

#### Input

Input voltage	230/400 V AC
Frequency	50...60 Hz
Inrush current	17.5 A (230 V AC); 10.1 A (400 V AC)
Short-circuit current	28 A (230 V AC); 16.1 A (400 V AC)
Input current	1.52 A (230 V AC); 0.88 A (400 V AC)

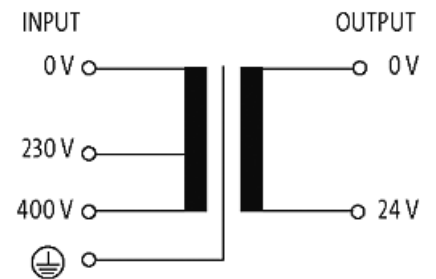
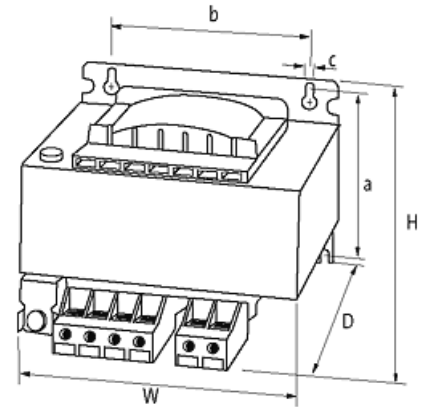
#### Commercial data

The information in this brochure has been compiled with the utmost care.

Liability for the correctness completeness and topicality of the information is restricted to gross negligence. Version: 02/21

Murrelektronik GmbH | Falkenstr. 3 | 71570 Oppenweiler | Fon +49 (71 91) 47-0 | Fax +49 (71 91) 47-491000 | shop@murrelektronik.com | shop.murrelektronik.com

country of origin	CZ
customs tariff number	85043180
EAN	4048879078610
eClass	27031302
Packaging unit	1

**Sketch**

Product may differ from Image