

MTS 1-PHASE CONTROL AND ISOLATION TRANSFORMER

P: 100VA IN: 208...550VAC OUT: 24VAC

Single-phase - Control and Isolation Transformers
100 VA
Isolation class T 40/B
Other voltages on request.

[Link to Product](#)

Illustration



Product may differ from Image

General data

Standards	EN 61558-1, EN 61558-2-6, EN 62041 category 0
Test isolation voltage	6.3 kV (prim./sec.)
Mounting method	Key-hole mounting
Dimensions H×W×D	88×84×93 mm
Fixing centers a×b×c	64.5×64×4.8 mm
Drill hole Ø	4.8×8.4 mm
Temperature range	-20...+40 °C (storage temperature -40...+80 °C)

Output

Output voltage	24 V AC
Output rating	100 VA

Input

Input voltage	208, 230, 380, 400, 420, 440, 460, 480, 500, 525, 550 V AC
Input current	0.57 A (208 V AC); 0.21 A (550 V AC)
Inrush current	9.7 A (208 V AC); 3.7 A (550 V AC)
Short-circuit current	7.6 A (208 V AC); 2.9 A (550 V AC)
Frequency	50...60 Hz

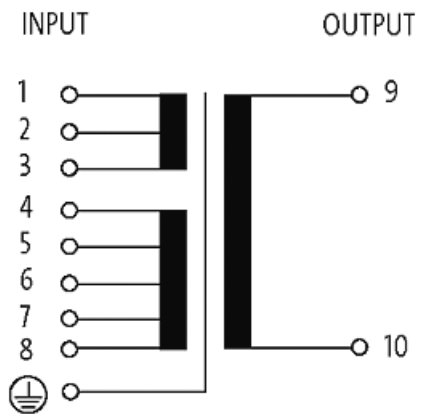
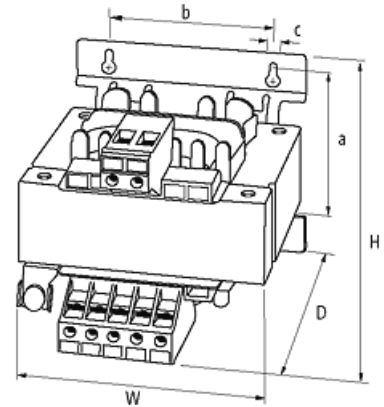
Commercial data

country of origin	CZ
customs tariff number	85043180
EAN	4048879372367
eClass	27031302
Packaging unit	1

The information in this brochure has been compiled with the utmost care.

Liability for the correctness completeness and topicality of the information is restricted to gross negligence. Version: 02/21

Murrelektronik GmbH | Falkenstr. 3 | 71570 Oppenweiler | Fon +49 (71 91) 47-0 | Fax +49 (71 91) 47-491000 | shop@murrelektronik.com | shop.murrelektronik.com

Sketch

Product may differ from Image