

MET 1-PHASE SAFETY TRANSFORMER

P: 1000VA IN: 400VAC+/- 5% OUT: 24VAC

Single-phase safety transformer
1000 VA
Isolation class T 60/B

[Link to Product](#)

Illustration



Product may differ from Image

Approvals



General data

Standards	EN 61558-1, EN 61558-2-6, EN 62041 category 0
Test isolation voltage	4 kV (prim./sec.)
Mounting method	Key-hole mounting
Temperature range	-20...+60 °C (storage temperature -40...+80 °C)
Fixing centers a×b×c	111,5×135×7 mm
Dimensions H×W×D	137×174×160 mm
Drill hole Ø	7×11 mm

Output

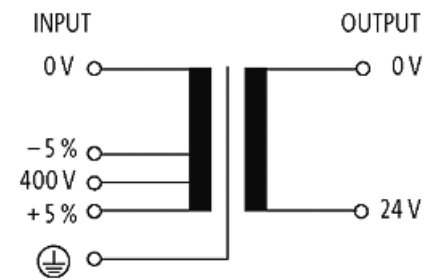
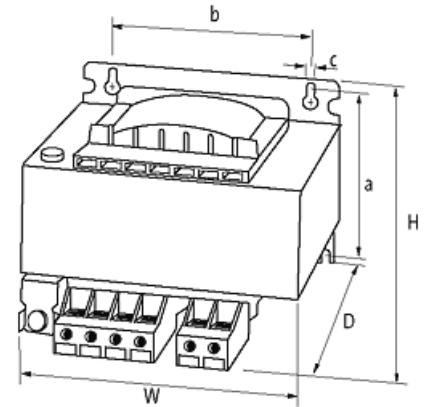
Output voltage	24 V AC (SELV)
Output rating	1000 VA

Input

Input voltage	400 V AC ±5%
Frequency	50...60 Hz
Input current	2.68 A (400 V AC)
Inrush current	62.5 A (400 V AC)
Short-circuit current	79.4 A (400 V AC)

Commercial data

country of origin	CZ
customs tariff number	85043180
EAN	4048879078870
eClass	27031302
Packaging unit	1

Sketch

Product may differ from Image