

## MET 1-PHASE CONTROL AND ISOLATION TRANSFORMER

P: 1000VA IN: 230VAC+/- 5% OUT: 230VAC

Single-phase - Control and Isolation Transformers  
1000 VA  
Isolation class T 60/B

### [Link to Product](#)

#### Illustration



Product may differ from Image

#### Approvals



#### General data

Standards	EN 61558-1, EN 61558-2-4, EN 62041 category 0
Test isolation voltage	4 kV (prim./sec.)
Dimensions H×W×D	138×174×160 mm
Fixing centers a×b×c	111.5×135×7 mm
Drill hole Ø	7×11 mm
Mounting method	Key-hole mounting
Temperature range	-20...+60 °C (storage temperature -40...+80 °C)

#### Output

Output voltage	230 V AC
Output rating	1000 VA

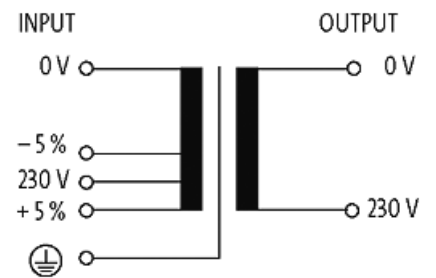
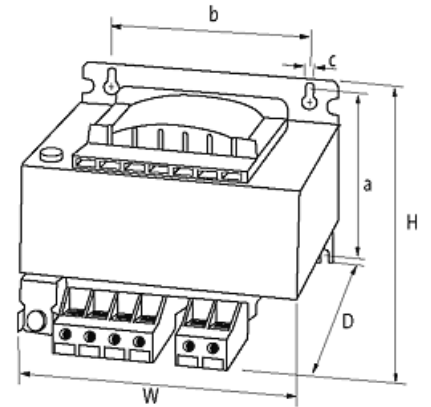
#### Input

Input voltage	230 V AC ±5%
Frequency	50...60 Hz
Short-circuit current	138 A (230 V AC)
Input current	4.64 A (230 V AC)
Inrush current	110 A (230 V AC)

#### Commercial data

country of origin	CZ
customs tariff number	85043180
EAN	4048879078900
eClass	27031302
Packaging unit	1

### Sketch



Product may differ from Image