

## MET 1-PHASE SAFETY TRANSFORMER

P: 800VA IN: 230VAC+/- 5% OUT: 24VAC

Single-phase safety transformer  
800 VA  
Isolation class T 60/B

### [Link to Product](#)

#### Illustration



Product may differ from Image

#### Approvals



#### General data

Test isolation voltage	4 kV (prim./sec.)
Standards	EN 61558-1, EN 61558-2-6, EN 62041 category 0
Mounting method	Key-hole mounting
Fixing centers a×b×c	92×135×7 mm
Drill hole Ø	7×11 mm
Dimensions H×W×D	117×174×160 mm
Temperature range	-20...+60 °C (storage temperature -40...+80 °C)

#### Output

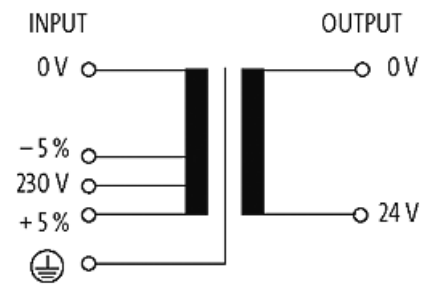
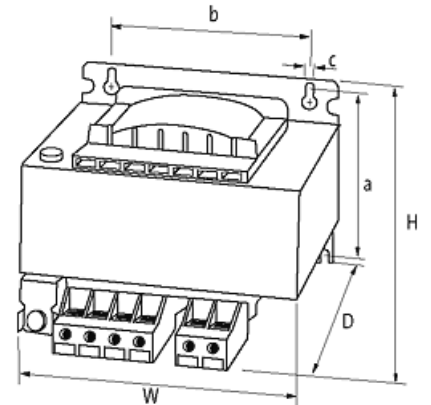
Output voltage	24 V AC (SELV)
Output rating	800 VA

#### Input

Input voltage	230 V AC ±5%
Input current	3.75 A (230 V AC)
Inrush current	92.8 A (230 V AC)
Short-circuit current	87.8 A (230 V AC)
Frequency	50...60 Hz

#### Commercial data

country of origin	CZ
customs tariff number	85043180
EAN	4048879078931
eClass	27031302
Packaging unit	1

**Sketch**

Product may differ from Image