

Emparro IP67 Power Supply 1-Phase

OUT: 24VDC 10A - M12L 5P - PELV

Emparro@67 Hybrid

2× MICO M12 IOL

M12 (female) 5-pole, L-coded

Current: 10 A

INPUT: 90...265 V AC/90...265 V DC

OUTPUT: 24...28 V DC

Preventive Diagnostic

Over current protection device

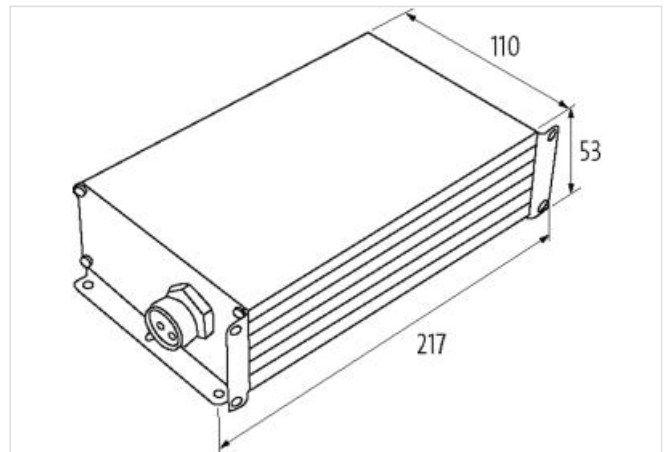
controllable via IO-Link

Link to Product

Illustration



Product may differ from Image



General data

Standards	IEC 61010-2-201, EN 61204-3, EN 55022 B, EN 61000-3-2
Mounting method	6 hole screw mounting
Temperature range	-25...+50 °C, ...+80 °C derating (storage temperature -25...+85 °C)
MTBF	430 000 h
Relative humidity	4...100%
Protection	IP67
Efficiency	91.6% (115 V AC); 92.8% (230 V AC)
Dimensions HxWxD	216x110x53 mm

Output

Output voltage	24 V DC (PELV), ±1%; 24...28 V adjustable
LED display	LED (green): OK; LED (red): overload, overheating or short-circuit
Connection	M12 (female) 5-pole, L-coded
Output current	max. 8 A (per channel), max. 10 A (total)
Mains failure bridging time	min. 20 ms (230 V AC)
Ripple	max. 10 mV eff/rms
Spikes	max. 150 mV ss/pp

The information in this brochure has been compiled with the utmost care.

Liability for the correctness completeness and topicality of the information is restricted to gross negligence. Version: 2022-12-30

Murrelektronik GmbH | Falkenstr. 3 | 71570 Oppenweiler | Fon +49 (71 91) 47-0 | Fax +49 (71 91) 47-491000 | shop@murrelektronik.com | shop.murrelektronik.com

Unit protection	Short-circuit, overload and temperature
Parallel usage/serial usage	no
No. of channels	2× MICO (Over current protection device)
Input	
Input voltage	90...265 V AC/90...265 V DC
Connection	7/8" (male), 3-pole
Input current	1.2 A (240 V AC)
Inrush current after 1 ms	max. 5.9 A (230 V AC)
Power factor	0.88 (230 V AC)
Frequency	50...60 Hz
Input fuse (internal)	6.3 A (T)
Product article number of manufacturer	85688