

MVP12 Steel F&B, 8XM12, 5POLE, PRE-WIRED CABLE

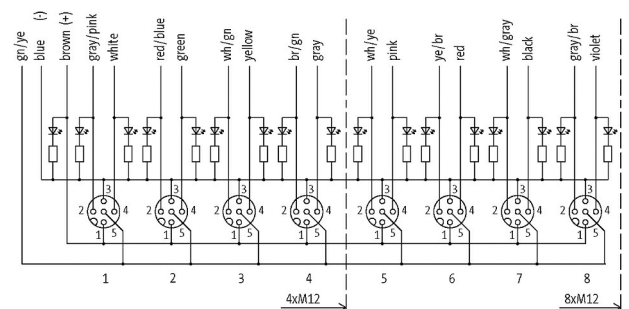
10.0m TPE-V 16x0.5+3x1.0, UL/CSA

5-pole

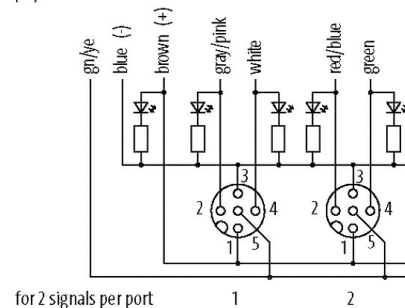
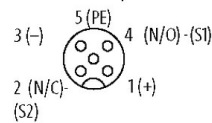
Further cable lengths on request.

The resistance to aggressive media should be individually tested for your application. Further details on request.

10.0 m

[Link to Product](#)**Illustration**

M12-Females 5-pole



Product may differ from Image

Technical Data

| | |
|-------------------------------|-------------------------|
| Operating voltage | 24 V DC |
| Operating current per contact | max. 4 A |
| Total current | max. 12 A |
| Locking of ports | Screw thread (M12x1 mm) |

The information in this brochure has been compiled with the utmost care.

Liability for the correctness completeness and topicality of the information is restricted to gross negligence. Version: 02/21

Murrelektronik GmbH | Falkenstraße 3 | 71570 Oppenweiler | Fon +49 (71 91) 47-0 | Fax +49 (71 91) 47-491000 | shop@murrelektronik.com | shop.murrelektronik.com

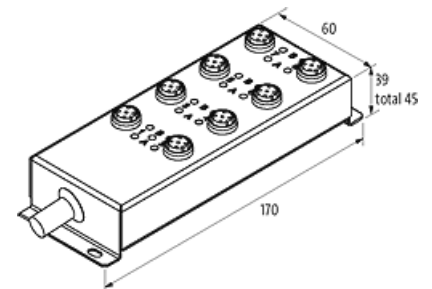
| | |
|------------------------------------|--|
| Protection | IP65, IP68, IP69K inserted and tightened (EN 60529) |
| Housing | Stainless steel 1.4404 (V4A) |
| General data | |
| Temperature range | -30...+80 °C |
| Cables | |
| Cable number | 453 |
| No./diameter of wires | 16× 0.5 + 3× 1.0 mm ² |
| Wire isolation | TPE (grpk, wh, rdbl, gn, whgn, ye, brgn, gr, whye, pk, yebr, rd, whgr, bk, grbr, vi, br, bl, gnye) |
| C-track properties | 5 Mio. |
| Jacket Color | gray |
| Material (jacket) | TPE-V |
| Outer Ø | 11.6 mm ±5% |
| Bend radius (moving) | 10× outer Ø |
| Temperature range (fixed) | -40...+90 °C |
| Temperature range (mobile) | -20...+90 °C |
| Cable identification | 453 |
| Approval (cable) | FDA regulation 21 CFR 177.2600, CE conform |
| Cable weight [g/m] | 199,10 |
| Material (wire) | Cu wire, bare |
| Resistor (core) | max. 39 Ω/km (0.5 mm ²); max. 20 Ω/km (1.0 mm ²); (20 °C) |
| Single wire Ø (core) | 0.1 mm |
| Construction (core) | 64× 0.1 mm (0.5 mm ²), 128× 0.1 mm (1.0 mm ²); (multi-strand wire class 6) |
| Diameter (core) | 16× 0.5 + 3× 1.0 mm ² |
| AWG | similar to AWG 20 (0.5 mm ²); similar to AWG 17 (1.0 mm ²) |
| Material (wire isolation) | PP |
| Material property (wire isolation) | CFC-, halogen-, cadmium-, silicone- and lead-free |
| Shore hardness (wire isolation) | 65 ±3 D |
| Wire-Ø incl. isolation | 1.6 mm ±5% (0.5 mm ²); 2.1 mm ±5% (1.0 mm ²) |
| Shield | no |
| Material (jacket) | TPE-V |
| Material property (jacket) | CFC-, halogen-, cadmium-, silicone- and lead-free |
| Shore hardness (jacket) | 80 ±5 A |
| Outer-Ø (jacket) | 11.6 mm ±5% |
| Color (jacket) | gray |
| Nominal voltage | 300 V AC |
| Test voltage | 2000 V AC |
| Current load capacity | to DIN VDE 0298-4 |
| Temperature range (fixed) | -40...+90 °C |
| Temperature range (mobile) | -20...+90 °C |
| Bend radius (fixed) | 5× outer Ø |
| Bend radius (moving) | 10× outer Ø |
| No. of bending cycles (C-track) | max. 5 Mio. (25 °C) |
| Traversing distance (C-track) | max. 5 m (horizontal) |
| Travel speed (C-track) | max. 3.3 m/s |
| Acceleration (C-track) | max. 5 m/s ² |
| Contact Layout | |
| PIN 1 | (+) |
| PIN 2 | (NC)/(S2) |

| | |
|--|-----------|
| PIN 3 | (-) |
| PIN 4 | (NO)/(S1) |
| PIN 5 | (Earth) |
| LED (green): Power / LED (yellow): (S1/S2) | |

Commercial data

| | |
|-----------------------|---------------|
| country of origin | DE |
| customs tariff number | 85444290 |
| EAN | 4048879554145 |
| eClass | 27143423 |
| Packaging unit | 1 |

Sketch



Product may differ from Image