

EXACT8, 8XM8, 4 POLE PLUG. CAP, SPRING-TERM.

5.0m PUR 16x0,34+2x0,75, UL/CSA

5.0 m

8-way, 4-pole

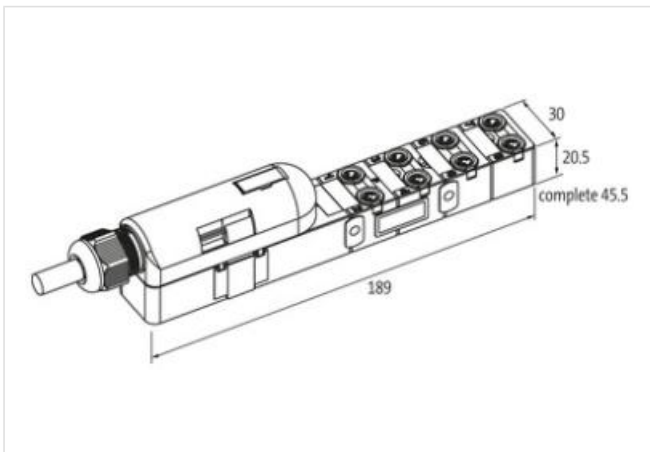
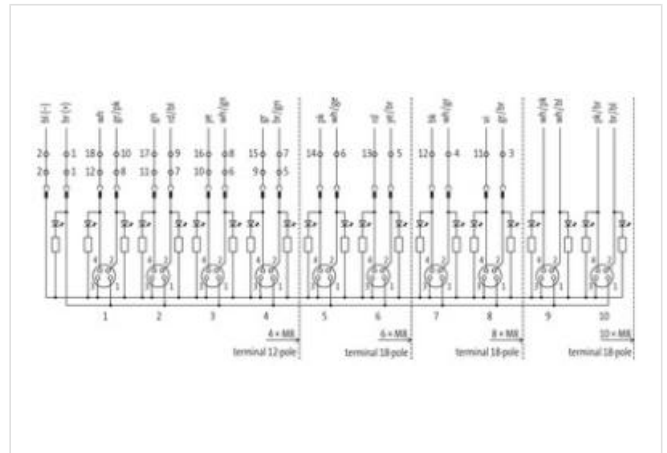
Further cable lengths on request.

Plastic housings with good resistance against chemicals and oils.

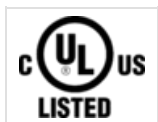
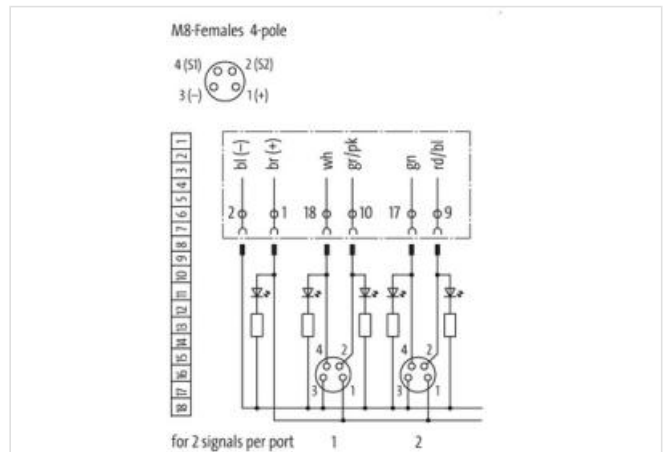
The resistance to aggressive media should be individually tested for your application. Further details on request.

[Link to Product](#)

Illustration



Product may differ from Image



Form

Form 88140

Technical Data

Operating voltage 24 V DC

Operating current per contact max. 2 A

Locking of ports	Screw thread (M8×1 mm)
Protection	IP67 inserted and tightened (EN 60529)
Housing	Plastic, flame retardant
Signal per port	2
Total current	max. 8 A

General data

Temperature range	-20...+80 °C, depending on cable quality
-------------------	------------------------------------------

Cables

No./diameter of wires	16× 0.34 + 2× 0.75 mm ²
C-track properties	5 Mio.
Outer Ø	10.4 mm ±5%
Cable number	396
Jacket Color	gray
Temperature range (fixed)	-40...+80 °C
Temperature range (mobile)	-5...+60 °C
Bend radius (fixed)	5× outer Ø
Bend radius (moving)	10× outer Ø
Material (jacket)	PUR (UL/CSA)

Contact Layout

PIN 1	(+)
PIN 2	(NC)/(S2)
PIN 3	(-)
PIN 4	(NO)/(S1)
LED (green): Power / LED (yellow): (S1) / LED (white): Signal (S2)	

Product article number of manufacturer	8000-88140-3960500
----------------------------------------	--------------------