

EXACT12, 4XM12, 4 POLE MOULDED CABLE

5.0m PUR/PVC 4X0.34+3X0.75NPN-LED's

4-way, 4-pole

for NPN signals 24 V DC

Further cable lengths on request.

Plastic housings with good resistance against chemicals and oils.

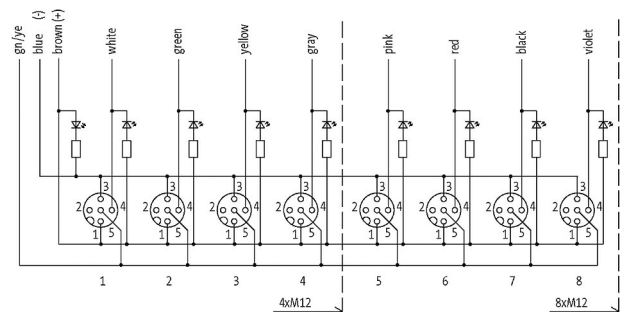
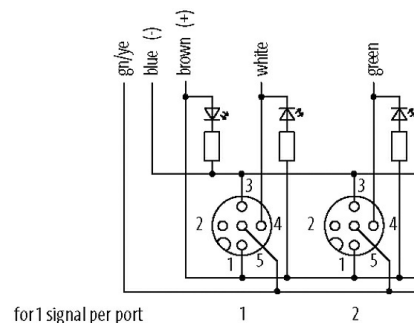
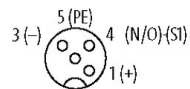
The resistance to aggressive media should be individually tested for your application. Further details on request.

PUR/PVC

5.0 m

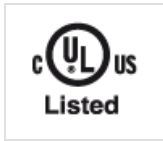
[Link to Product](#)**Illustration**

M12-Females 4-pole



Product may differ from Image

Approvals



Technical Data

| | |
|-------------------------------|--------------------------|
| Operating voltage | 24 V DC |
| Operating current per contact | max. 4 A |
| Total current | max. 8 A |
| Housing | Plastic, flame retardant |
| Protection | IP65/IP67 |
| Locking of ports | Screw thread (M12×1 mm) |

General data

| | |
|-------------------|------------------------------------------|
| Temperature range | -20...+70 °C, depending on cable quality |
|-------------------|------------------------------------------|

Cables

| | |
|------------------------------------|------------------------------------------------------------------------------------------------------|
| Cable number | 333 |
| No./diameter of wires | 4× 0.34 + 3× 0.75 mm ² |
| Wire isolation | PVC |
| C-track properties | 2 Mio. |
| Jacket Color | gray |
| Material (jacket) | PUR/PVC |
| Outer Ø | 7.4 mm ±5% |
| Bend radius (moving) | 12× outer Ø |
| Temperature range (fixed) | -30...+80 °C |
| Temperature range (mobile) | -5...+70 °C |
| Cable identification | 333 |
| Cable Type | 2 (PUR/PVC) |
| Approval (cable) | UL (AWM-Style 21441/10955), CE conform |
| Cable weight [g/m] | 91,3 |
| Material (wire) | Cu wire, bare |
| Resistor (core) | max. 57 Ω/km (0.34 mm ²), max. 26 Ω/km (0.75 mm ²); (20 °C) |
| Single wire Ø (core) | 0.15 mm (0.34 mm ²); 0.2 mm (0.75 mm ²) |
| Construction (core) | 19× 0.15 mm (0.34 mm ²); 24× 0.2 mm (0.75 mm ²); (multi-strand wire class 5) |
| Diameter (core) | 4× 0.34 + 3× 0.75 mm ² |
| AWG | similar to AWG 22 (0.34 mm ²); similar to AWG 18 (0.75 mm ²) |
| Material (wire isolation) | PVC |
| Material property (wire isolation) | CFC-, cadmium-, silicone- and lead-free |
| Shore hardness (wire isolation) | 43 ±5 D |
| Wire-Ø incl. isolation | 1.3 mm ±5% (0.34 mm ²); 1.8 mm ±5% (0.75 mm ²) |
| Color/numbering of wires | wh, gn, ye, gr+br, bl, gnye longitudinally striped |
| Shield | no |
| Material (jacket) | PUR/PVC |
| Shore hardness (jacket) | 87 ±5 A |
| Outer-Ø (jacket) | 7.4 mm ±5% |
| Color (jacket) | gray |
| chemical resistance | good resistance to oil, gasoline and chemicals (EN 60811-404) |
| Nominal voltage | U0/U 300/300 V AC |
| Test voltage | 2000 V AC |
| Current load capacity | to DIN VDE 0298-4 |

| | |
|---------------------------------|--------------------------|
| Temperature range (fixed) | -30...+80 °C |
| Temperature range (mobile) | -5...+70 °C |
| Bend radius (fixed) | 5× outer Ø |
| Bend radius (moving) | 12× outer Ø |
| No. of bending cycles (C-track) | max. 2 Mio. (25 °C) |
| Traversing distance (C-track) | max. 5 m (horizontal) |
| Travel speed (C-track) | max. 2 m/s |
| Acceleration (C-track) | max. 10 m/s ² |

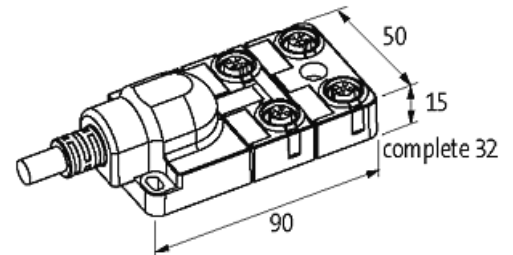
Contact Layout

| | |
|-------|-----------------------------------------|
| PIN 1 | (+) |
| PIN 3 | (-) |
| PIN 4 | (NO)/(S1) |
| PIN 5 | (Earth) |
| | LED (green): Power / LED (yellow): (S1) |

Commercial data

| | |
|-----------------------|---------------|
| country of origin | DE |
| customs tariff number | 85444290 |
| EAN | 4048879056007 |
| eClass | 27279219 |
| Packaging unit | 1 |

Sketch



Product may differ from Image