

RJ45 male 0° / RJ45 male 0° shielded Ethernet

TPE 2x2x22AWG SF/UTP CAT5e gn UL/CSA,ITC/PLTC 3m

Ethernet CAT5

Male straight – male straight

RJ45 – RJ45, 4-pole

shielded

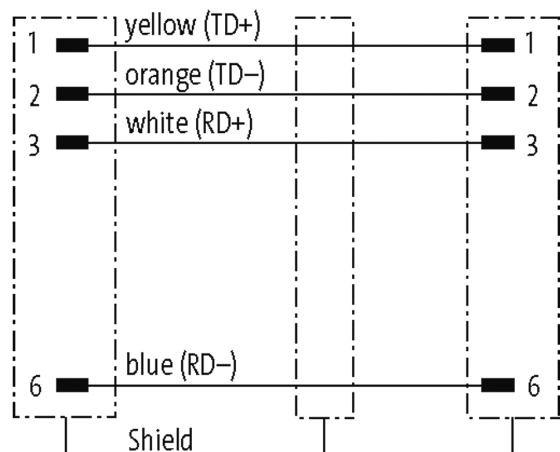
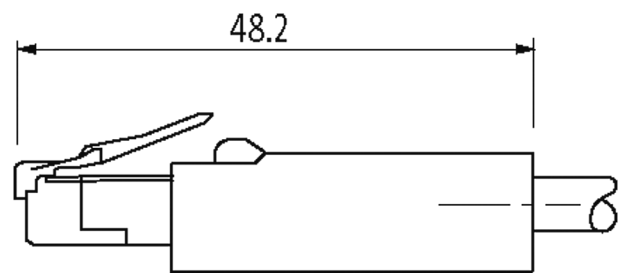
without cable sleeves

Protection cap

Further cable lengths on request.

Plastic housings with good resistance against chemicals and oils.

The resistance to aggressive media should be individually tested for your application. Further details on request.

[Link to Product](#)**Illustration**

Product may differ from Image

Approvals

* only for products with UL/CSA approved cable

More Info



EtherNet/IP

Form

Form 74301

Technical Data

Operating voltage	max. 60 V DC
Operating voltage (only UL listed)	max. 30 V DC
Rated surge voltage	1.0 kV
Operating current per contact	max. 1.5 A (20 °C)
Material group	IEC 60664-1, category I
No. of poles	4
Transfer parameters	CAT5, Class D (ISO/IEC 11801:2002), (EN 50173-1)
Transfer rate	up to 100 Mbit/s full duplex
LED display	no
Locking of ports	Snap-in connector
Protection	IP20 inserted and tightened (EN 60529)
Locking material	PA
Material	PUR
suitable for corrugated tube (internal Ø)	without

General data

Mounting method	inserted
Pollution Degree	3
Temperature range	-25...+85 °C, depending on cable quality

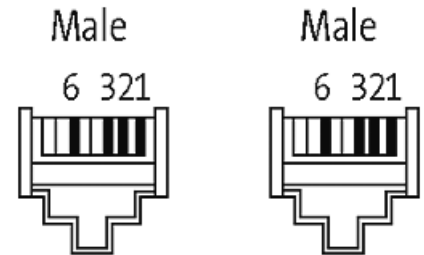
Cables

Cable number	S7V
No./diameter of wires	2 × 2 × 0.34 mm ²
Wire isolation	HDPE (wh, ye, bl, or)
C-track properties	1 Mio.
Jacket Color	green
Material (jacket)	TPE (UL)
Outer Ø	7.9 mm ±5%
Bend radius (moving)	10 × outer Ø
Temperature range (fixed)	-40...+80 °C
Temperature range (mobile)	-20...+80 °C
Cable identification	S7V
Cable weight [g/m]	74,80
Material (wire)	Cu wire, tin plated
Construction (core)	19 × 0.16 mm (multi-strand wire class 5)
Diameter (core)	2 × 2 × 0.34 mm ²
Material (wire isolation)	HDPE
Wire-Ø incl. isolation	1.42 mm ±5%
Shield	yes
Material (jacket)	TPE
Outer-Ø (jacket)	7.9 mm ±5%
Color (jacket)	green
Bend radius (fixed)	5 × outer Ø

Torsion stress 3 Mio.

Commercial data

country of origin	HU
customs tariff number	85444210
EAN	4048879668767
eClass	27061801
Packaging unit	1

Sketch

Product may differ from Image