

**M12 male 0° / RJ45 male 0° shielded Ethernet**

TPE 2x2x24AWG SF/UTP CAT5e bu UL/CSA, CM 10m

Ethernet CAT5

Further cable lengths on request.

Male straight – male straight

M12 – RJ45, 4-pole

D-coded

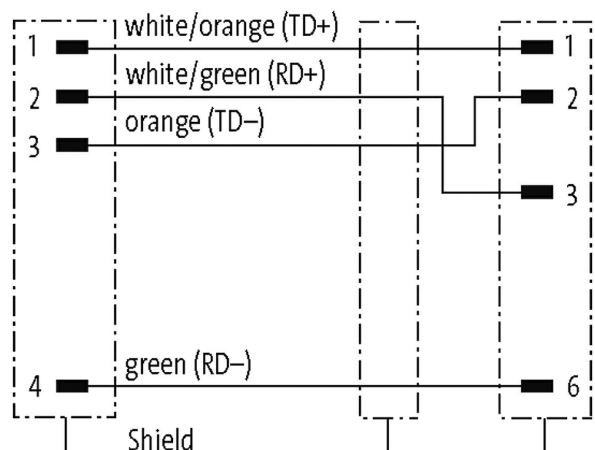
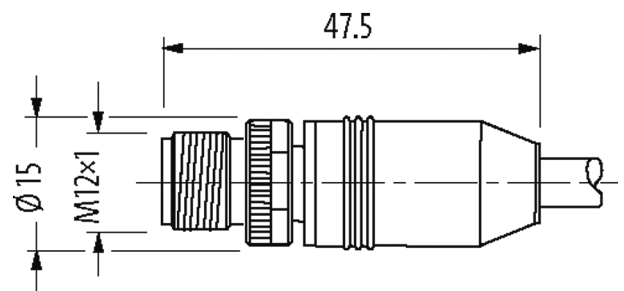
shielded

8-pole partly used

USA

without cable sleeves

Cable is approved for 600 V

**[Link to Product](#)****Illustration**

Product may differ from Image

**Approvals**

\* only for products with UL/CSA approved cable

## More Info



## Form

Form 44711

## Technical Data

Operating voltage	max. 60 V DC
Operating voltage (only UL listed)	max. 30 V DC
Rated surge voltage	1.0 kV
Operating current per contact	max. 1.5 A (20 °C)
Material group	IEC 60664-1, category I
No. of poles	4
Transfer parameters	CAT5, Class D (ISO/IEC 11801:2002), (EN 50173-1)
Transfer rate	up to 100 Mbit/s full duplex
Coding	M12, D-coded
LED display	no
Locking of ports	Screw thread (M12×1 mm) recommended torque 0.6 Nm, self-securing
Compression gland	M12 (SW13)
Protection	IP67 (M12) - IP20 (RJ45)
Locking material	Zinc die casting, matte nickel plated (M12)
Material	PUR
suitable for corrugated tube (internal Ø)	without

## General data

Standards	DIN EN 61076-2-101 (M12)
Mounting method	inserted, tightened
Pollution Degree	3
Temperature range	-25...+85 °C, depending on cable quality

## Cables

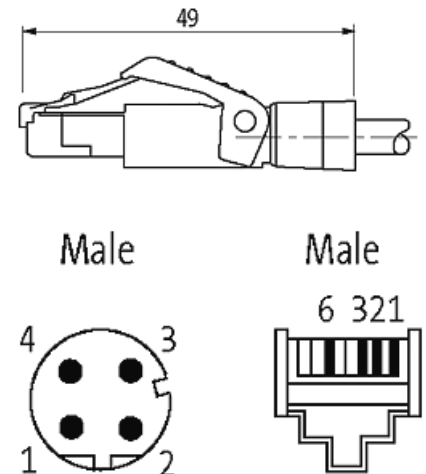
Cable identification	S4U
Cable weight [g/m]	55,66
Material (wire)	Cu wire, tin plated
Construction (core)	7× 0.203 mm
Diameter (core)	2× 2× 0.25 mm <sup>2</sup>
AWG	similar to AWG 24
Material (wire isolation)	HDPE
Wire-Ø incl. isolation	1.22 mm ±5%
Color/numbering of wires	(wh-or, or) + (wh-gn, gn)
Shield	yes
optical shield cover	min. 75%
Material (jacket)	TPE
Outer-Ø (jacket)	6.6 mm ±5%
Nominal voltage	1500 V AC
Temperature range (fixed)	-40...+80 °C
Temperature range (mobile)	-40...+80 °C
Bend radius (moving)	10× outer Ø

No. of bending cycles (C-track)	max. 1 Mio. (25 °C)
Traversing distance (C-track)	max. 0.6 m
Travel speed (C-track)	max. 1.2 m/s
Acceleration (C-track)	max. 2.4 m/s <sup>2</sup>
Torsion stress	max. 3 Mio. (25 °C)
No. of torsion cycles	max. 3 Mio. (25 °C)
Torsion speed	60 cycles/min
No./diameter of wires	2× 2× 0.25 mm <sup>2</sup>
Wire isolation	HDPE (whor, or, whgn, gn)
C-track properties	1 Mio.
Material (jacket)	TPE (UL/CSA)
Jacket Color	blue
Outer Ø	6.6 mm ±5%
Bend radius (moving)	10× outer Ø
Temperature range (fixed)	-40...+80 °C
Temperature range (mobile)	-40...+80 °C

#### Commercial data

country of origin	DE
customs tariff number	85444210
EAN	4048879619745
eClass	27061801
Packaging unit	1

#### Sketch



Product may differ from Image