

B10 Surface mounted h., high profile, IP65

Single locking lever m., 2 entries M25, p-cover

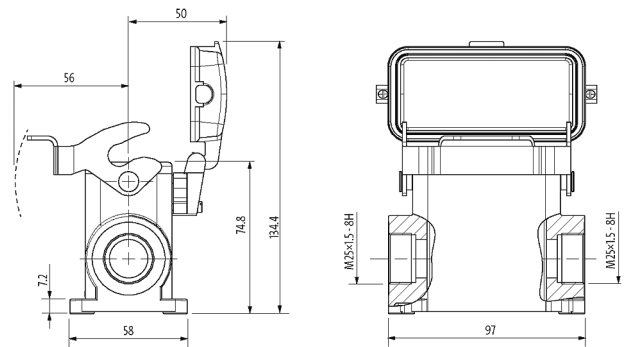
B10

Surface mounted housing (high)

Single locking lever

IP65

Technical data will be only guaranteed with Murrelektronik components.

[Link to Product](#)**Illustration**

Product may differ from Image

Technical Data

Locking of ports	Single locking lever
Protection (housing)	IP65 inserted and tightened (EN 60529), with gland
Protection (protection cover)	IP65
Mating cycles	min. 500

General data

Housing type	Surface mounted housing
Size	B10
Protective cover	Plastic
No. of cable outlets	1
Cable outlet	double-sided
Threaded hole	M25

Dimensions H×W×D	74.8×58×97 mm
Material (housing)	Aluminum die-cast
Material (housing surface)	powder-coated
Locking material	Steel (galvanized)
Material (gasket)	NBR
Climatic category	40/100/21 (EN 60068-1)
Temperature range	-40...+100 °C

Commercial data

country of origin	CZ
customs tariff number	85389099
EAN	4048879646277
eClass	27143424
Packaging unit	1