

M12 Power male receptacle L-cod. front mount V2A

wires PUR 5x1.5 1m

Flange male

M12, 5-pole

L-coded

with multi-strand wire

Stainless steel 1.4305 (V2A)

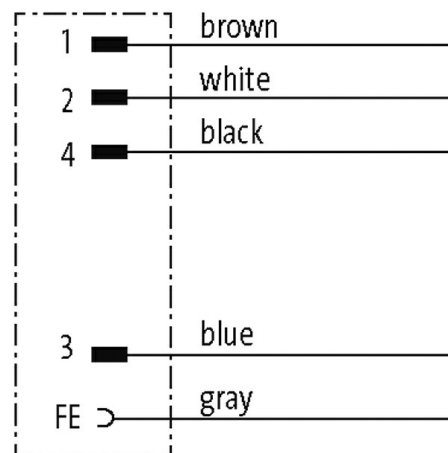
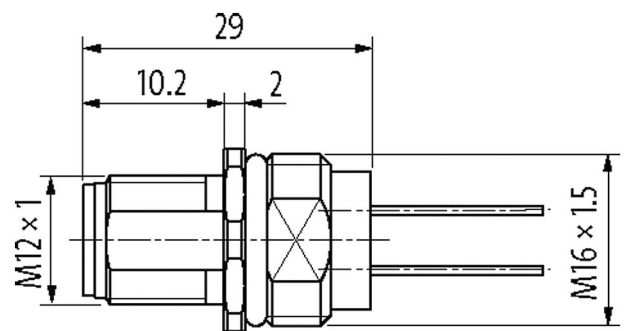
Plastic housings with good resistance against chemicals and oils.

The resistance to aggressive media should be individually tested for your application. Further details on request.

Further cable lengths on request.

[Link to Product](#)

Illustration



Product may differ from Image

Form

Form P4281

Technical Data

| | |
|-------------------------------|--|
| Operating voltage | max. 63 V AC/DC |
| Rated surge voltage | 1.5 kV |
| Operating current per contact | max. 16 A |
| No. of poles | 5 |
| Material group | IEC 60664-1, category I |
| Coding | L-coded |
| Locking of ports | Screw thread (M12×1 mm) recommended torque 0.6 Nm, self-securing |
| Compression gland | M12 (SW17) |
| Protection | IP65 and IP67 when plugged and screwed down (EN 60529) |

The information in this brochure has been compiled with the utmost care.

Liability for the correctness completeness and topicality of the information is restricted to gross negligence. Version: 02/21

Murrelektronik GmbH | Falkenstraße 3 | 71570 Oppenweiler | Fon +49 (71 91) 47-0 | Fax +49 (71 91) 47-491000 | shop@murrelektronik.com | shop.murrelektronik.com

| | |
|------------------|------------------------------|
| Protection NEMA | 3, 4, 6P (UL 50E) |
| Locking material | Stainless steel 1.4305 (V2A) |

General data

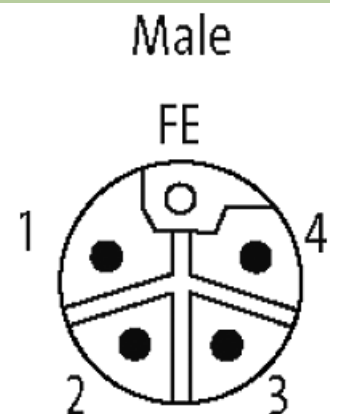
| | |
|-------------------|--------------|
| Pollution Degree | 3 |
| Temperature range | -25...+85 °C |

Cables

| | |
|----------------------------|--------------------------|
| Cable number | 980 |
| No./diameter of wires | 5 × 1.5 mm ² |
| Wire isolation | PUR (br, wh, bl, bk, gr) |
| Bend radius (fixed) | 7.5 × outer Ø |
| Temperature range (fixed) | -40...+90 °C |
| Temperature range (mobile) | -25...+90 °C |
| Shield | no |
| Outer Ø | 2.4 mm ±5% |

Commercial data

| | |
|-----------------------|---------------|
| country of origin | DE |
| customs tariff number | 85444290 |
| EAN | 4048879630115 |
| eClass | 27279221 |
| Packaging unit | 1 |

Sketch

Product may differ from Image