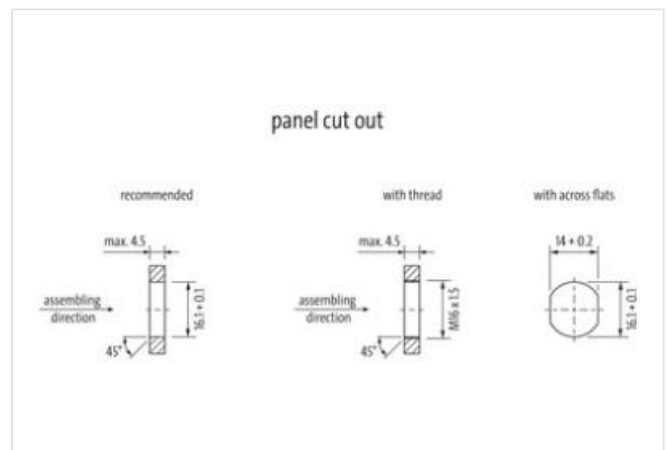
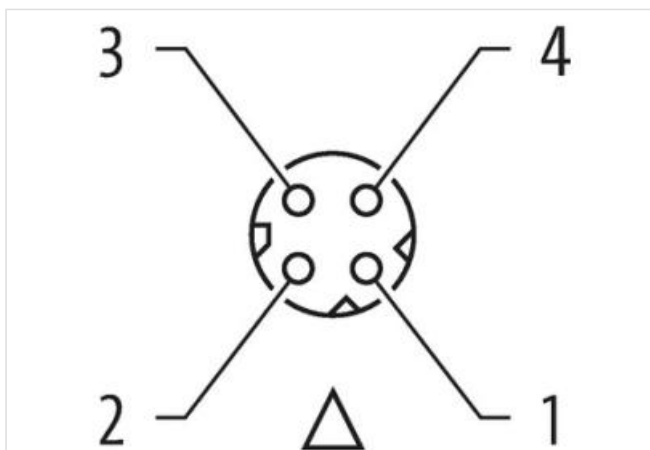
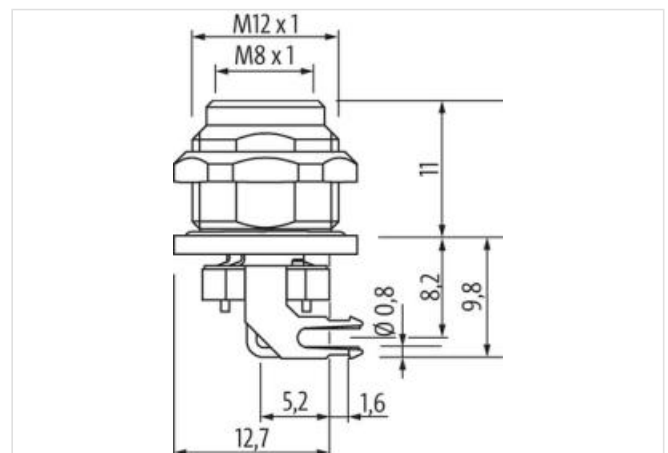
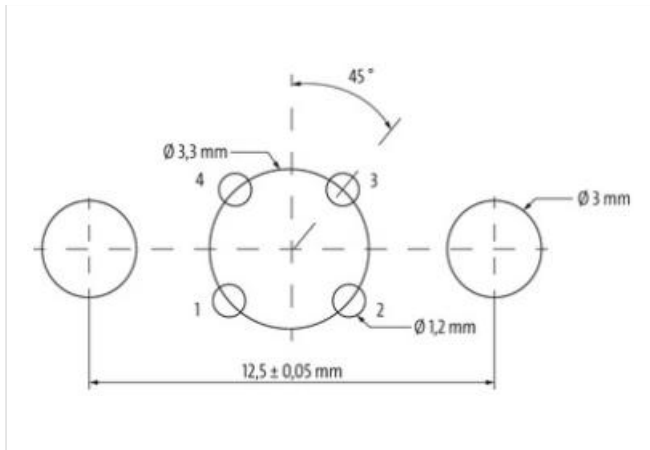


M8 female receptable 90° A-cod. rear

4-pol., PCB pin, shielded

PCB connectors
 Female straight
 M8, 4-pole
 D-coded
 Shielded
 THT-solder connection
 Rear mounting

[Link to Product](#)**Illustration**



Product may differ from Image



Form

Form R1224

Technical Data

Operating voltage	50 V AC/60 V DC
Operating current per contact	max. 4 A
No. of poles	4
Transfer parameters	CAT5e, Class D (ISO/IEC 11801)
Coding	D-coded
Locking of ports	Screw thread (M12×1 mm) recommended torque 0.6 Nm, self-securing
Connection	THT-solder connection
Protection	IP67 inserted and tightened (EN 60529)
Compression gland	M12 (SW14)
Isolation resistance	> 100 MOhm

General data

Material (contact)	Brass, nickel plated
Material (gasket)	FPM
Pollution Degree	3/2
Temperature range	-25...+90 °C
Material (housing)	Copper alloy, nickel plated
Material (contact carrier)	PA 6
Shielded	yes
Mating cycles	≥ 100

Product article number of manufacturer 7000-R1224-12D2100