

M23 servo cable

specification: 6FX5002-5DS01-1BD0

Power cable with brake wires for SINAMICS S120 and motors with M23 connection and holding brake

Female straight – pre-wired terminals

M23, 6-pole

shielded

without cable sleeves

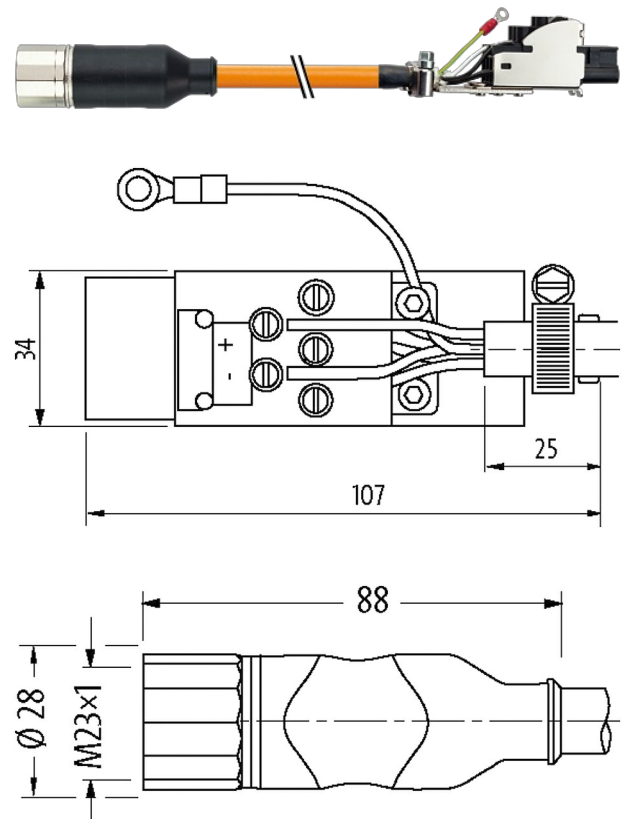
Further cable lengths on request.

Plastic housings with good resistance against chemicals and oils.

The resistance to aggressive media should be individually tested for your application. Further details on request.

Link to Product

Illustration



Product may differ from Image

Form

Form PS011

Technical Data

Operating voltage	600 V AC/DC (PIN 1/2/3/6); 250 V AC/DC (PIN 4/5)
Rated surge voltage	4 kV (PIN 1/2/3/6); 2 kV (PIN 4/5)
Operating current per contact	Power cores: 12 A (1.5 mm ²), 15 A (2.5 mm ²); brake cores: 5 A (1.5 mm ²)
Material group	IEC 60664-1, category I
Locking of ports	Screw thread (M23×1 mm) recommended torque 2.0 Nm, self-securing
Compression gland	M23 (SW27)
Protection	IP20/IP67

The information in this brochure has been compiled with the utmost care.

Liability for the correctness completeness and topicality of the information is restricted to gross negligence. Version: 02/21

Murrelektronik GmbH | Falkenstraße 3 | 71570 Oppenweiler | Fon +49 (71 91) 47-0 | Fax +49 (71 91) 47-491000 | shop@murrelektronik.com | shop.murrelektronik.com

Locking material	Brass, nickel plated
------------------	----------------------

Material	PUR
----------	-----

suitable for corrugated tube (internal Ø)	16 mm
---	-------

General data

Pollution Degree	3
------------------	---

Temperature range	-25...+85 °C, depending on cable quality
-------------------	--

Cables

Cable number	861
--------------	-----

No./diameter of wires	(4G1.5 + (2× 1.5)C)-C
-----------------------	-----------------------

Wire isolation	TPM (bk num, gnye)
----------------	--------------------

C-track properties	0.1 Mio.
--------------------	----------

Torsion stress	±30°/m
----------------	--------

Jacket Color	orange
--------------	--------

Material (jacket)	PVC (UL/CSA) (=MC500)
-------------------	-----------------------

Specification	6FX5008-1BA11
---------------	---------------

Outer Ø	10.4 mm ±5%
---------	-------------

Bend radius (fixed)	5× outer Ø
---------------------	------------

Bend radius (moving)	18× outer Ø
----------------------	-------------

Temperature range (fixed)	-40...+80 °C
---------------------------	--------------

Temperature range (mobile)	-20...+60 °C
----------------------------	--------------

Shield	yes
--------	-----

Approval (cable)	UL (AWM-Style 2570/10492), CSA
------------------	--------------------------------

Diameter (core)	4× 2.5 + 2× 1.5 mm ²
-----------------	---------------------------------

Commercial data

country of origin	DE
-------------------	----

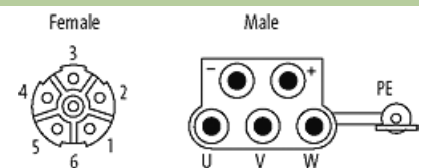
customs tariff number	85444290
-----------------------	----------

EAN	4048879655774
-----	---------------

eClass	27279218
--------	----------

Packaging unit	1
----------------	---

Sketch



Product may differ from Image