

MQ15 female 0° with cable 600V AC type 3

PVC 6x2.5 bk UL/CSA 40m

Female straight

MQ15, 6-pole

with cable sleeves

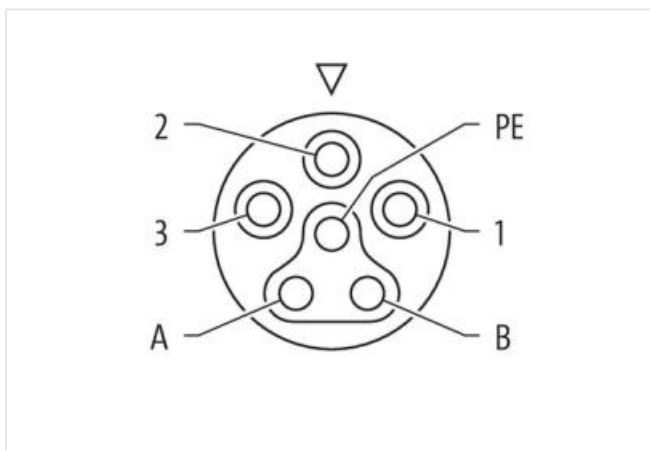
Plastic housings with good resistance against chemicals and oils.

The resistance to aggressive media should be individually tested for your application. Further details on request.

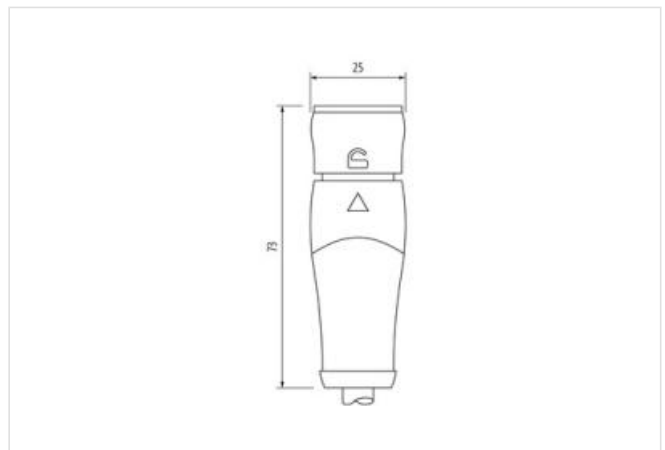
Further cable lengths on request.

[Link to Product](#)**Illustration**

1)	BK 1
2)	BK 2
3)	BK 3
PE)	GN YE
A)	BK 4
B)	BK 5



Product may differ from Image

**Form**

Form

P8121

Technical Data

Operating voltage

max. 600 V AC (Power); max. 63 V AC/DC (Signal)

Rated surge voltage	6.0 kV (PIN 1/2/3); 1.5 kV (PIN A/B)
Operating current per contact	max. 16 A (Power); max. 10 A (Signal)
Material group	IEC 60664-1, category I
Coding	Type 3
LED display	no
Locking of ports	Quick connection, 1/4 turn
Protection	IP65/IP67 inserted and tightened (EN 60529)
Material	PUR
Locking material	POM
suitable for corrugated tube (internal Ø)	18 mm
Configuration	fully used

General data

Mounting method	inserted, tightened
Material (contact)	Copper alloy
Material (contact surface)	Ag
Pollution Degree	3
Stripping length (jacket)	100 mm
Temperature range	-30...+85 °C, depending on cable quality
Material (contact carrier)	PA

Cables

Cable identification	P74
Cable Type	1 (PVC)
Cable weight [g/m]	238,7
Material (wire)	Cu wire, bare
Resistor (core)	max. 7.98 Ω/km (20 °C)
Single wire Ø (core)	0.15 mm
Construction (core)	140× 0.15 mm (multi-strand wire class 6)
Diameter (core)	6× 2.5 mm ²
AWG	similar to AWG 14
Material (wire isolation)	PP
Material property (wire isolation)	CFC-, halogen-, cadmium-, silicone- and lead-free
Shore hardness (wire isolation)	60 ±5 D
Wire-Ø incl. isolation	2.85 mm ±5%
Color/numbering of wires	bk numbered, gnye longitudinally striped
Stranding combination	6 wires twisted around filler
Shield	no
Material (jacket)	PVC
Material property (jacket)	CFC-, cadmium-, silicone- and lead-free, matt, low-adhesion, machine easy to process, abrasion-resistant
Shore hardness (jacket)	90 ±5 A
Outer-Ø (jacket)	10.4 mm ±5%
Color (jacket)	black
chemical resistance	good resistance to oil, gasoline and chemicals
thermal resistance	flame retardant
Nominal voltage	1000 V AC
Test voltage	10.0 kV
Current load capacity	to DIN VDE 0298-4
Temperature range (fixed)	-40...+80 °C
Temperature range (mobile)	-25...+80 °C
Bend radius (moving)	10× outer Ø
Product article number of manufacturer	7000-P8121-P744000
Cable length	40 m