

MQ15 female receptacle front mount

wires PVC 4x2,5 0,25m

Flange female

MQ15, 4-pole

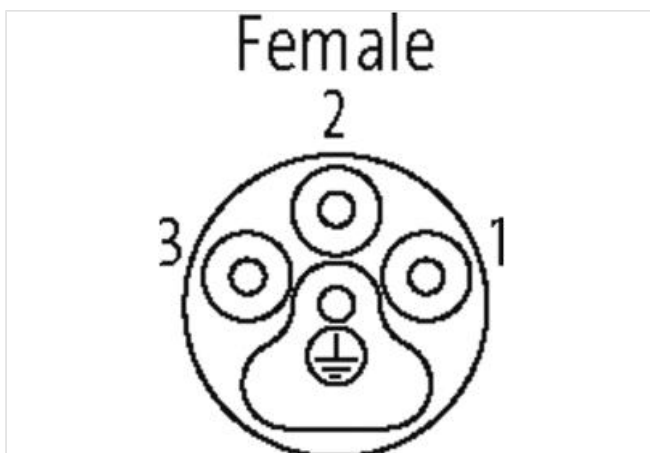
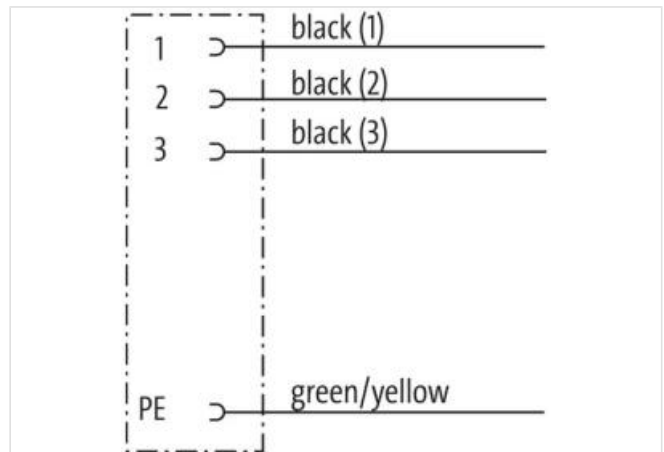
with multi-strand wire

Front mounting

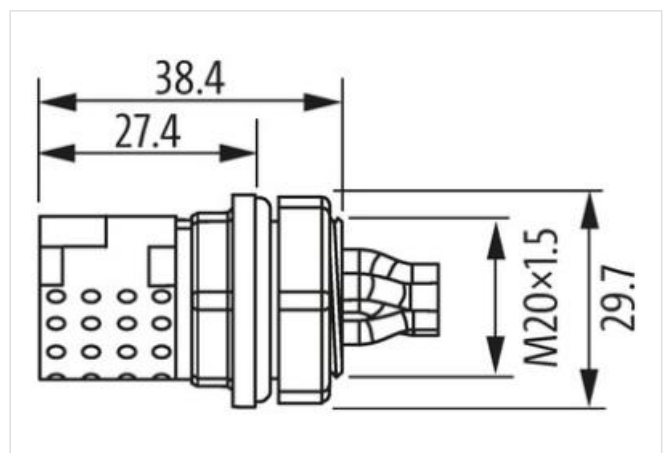
Plastic housings with good resistance against chemicals and oils.

The resistance to aggressive media should be individually tested for your application. Further details on request.

Further cable lengths on request.

[Link to Product](#)**Illustration**

Product may differ from Image

**Form**

Form

P8091

Technical Data

| | |
|-------------------------------|--|
| Operating voltage | max. 600 V AC |
| Rated surge voltage | 2.5 kV |
| Operating current per contact | max. 16 A |
| No. of poles | 4 |
| Mating cycles | ≥ 500 |
| LED display | no |
| Locking of ports | Quick connection, 1/4 turn |
| Protection | IP67 inserted and tightened (EN 60529) |
| Material | PA |
| Configuration | partly used |

General data

| | |
|----------------------------|--|
| Mounting method | inserted, tightened |
| Material (contact) | Copper alloy |
| Material (contact surface) | Ag |
| Pollution Degree | 3 |
| Temperature range | -40...+90 °C, depending on cable quality |
| Material (contact carrier) | PA |

Cables

| | |
|--|---|
| No./diameter of wires | 4x 2.5 mm ² |
| Wire isolation | PVC (bk num, gnye) |
| Outer Ø | 3.7 mm ±5% |
| Cable identification | P82 |
| Cable number | P82 |
| Material (wire) | Cu wire, tin plated |
| Construction (core) | multi-strand wire class 5 (EN 60228) |
| Diameter (core) | 4x 2.5 mm ² |
| AWG | similar to AWG 14 |
| Material (wire isolation) | PVC |
| Wire-Ø incl. isolation | 3.7 mm ±5% |
| Color/numbering of wires | bk numbered, gnye longitudinally striped |
| thermal resistance | flame retardant UL VW1, CSA FT1 |
| Nominal voltage | 600 V |
| Test voltage | 2500 V AC |
| Temperature range (fixed) | -40...+70 °C (+90 °C UL-MTW, +105 °C UL-AWM , +105 °C CSA-TEW) |
| Product article number of manufacturer | 7000-P8091-P820025 |
| Cable length | 0,25 m |