

M12 Power L-cod. 4pol. female recept. rear mount

wires PUR 4x1.5 1m

Power

Flange female

M12, 4-pole

L-coded

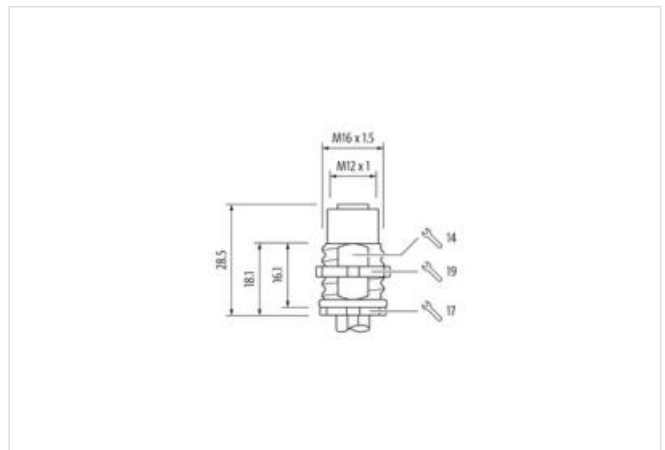
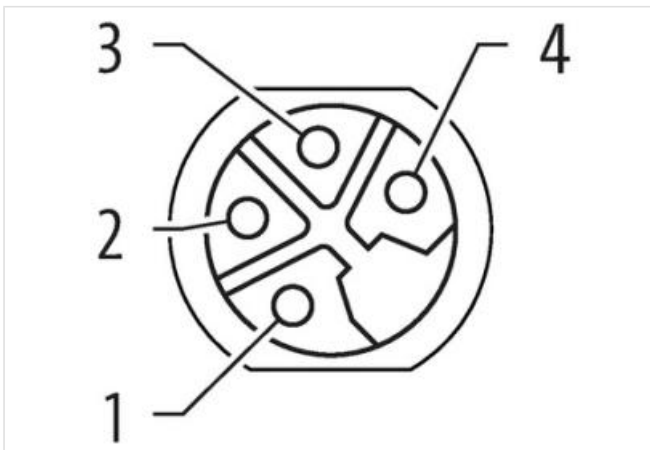
Rear mounting

with multi-strand wire

Fastening nut included in the delivery

The resistance to aggressive media should be individually tested for your application. Further details on request.

Further cable lengths on request.

[Link to Product](#)**Illustration**

Product may differ from Image

**Form**

Form

P4195

The information in this brochure has been compiled with the utmost care.

Liability for the correctness completeness and topicality of the information is restricted to gross negligence. Version: 2022-12-29

Murrelektronik GmbH | Falkenstr. 3 | 71570 Oppenweiler | Fon +49 (71 91) 47-0 | Fax +49 (71 91) 47-491000 | shop@murrelektronik.com | shop.murrelektronik.com

Technical Data	
Operating voltage	max. 63 V DC
Rated surge voltage	1.5 kV
Operating current per contact	max. 12 A
No. of poles	4
Material group	IEC 60664-1, category I
Coding	L-coded
LED display	no
Locking of ports	Screw thread (M12×1 mm) recommended torque 0.6 Nm
Protection	IP65, IP67 mounted and tightened
Protection NEMA	3, 4, 6P (UL 50E)
Locking material	Brass, nickel plated
suitable for corrugated tube (internal Ø)	without
Housing	Brass, nickel plated
Compression gland	Flange (SW17)
General data	
Standards	IEC 61076-2-111
Pollution Degree	3
Temperature range	-25...+85 °C, depending on cable quality
Cables	
Cable identification	944
Material (wire)	Cu wire, tin plated
Material (wire isolation)	PUR
Wire-Ø incl. isolation	2.4 mm ±5%
Color/numbering of wires	br, bk, bl, wh
Shield	no
Temperature range (fixed)	-40...+90 °C
Temperature range (mobile)	-25...+90 °C
Product article number of manufacturer	7000-P4195-9440100
Cable length	1 m