

**RJ45 male 0° / RJ45 male 0° shielded**

FRNC/LS0H 4x2xAWG27 shielded rd UL 18m

Ethernet CAT6A

Male straight – male straight

RJ45 – RJ45, 8-pole shielded

with cable sleeves

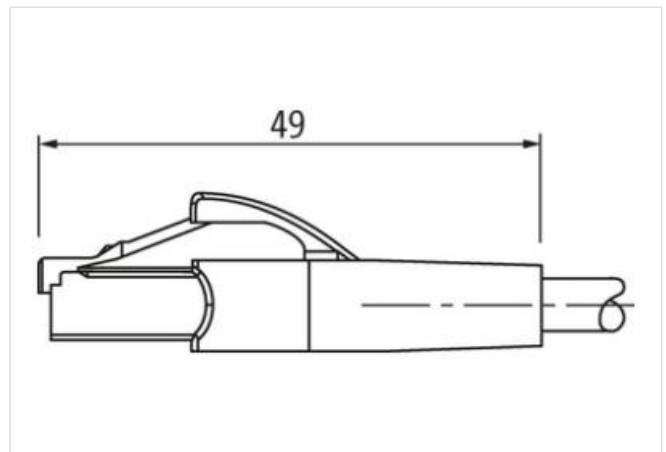
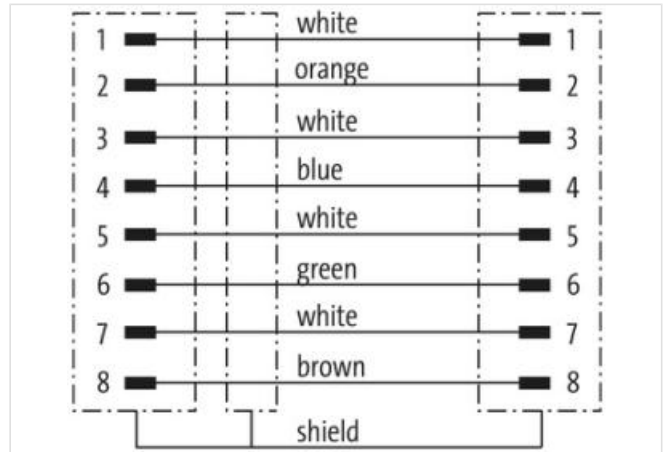
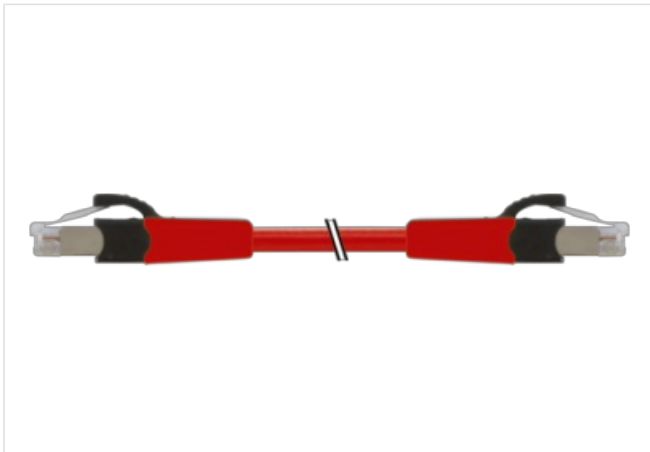
Further cable lengths on request.

Plastic housings with good resistance against chemicals and oils.

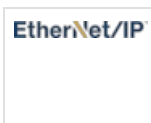
The resistance to aggressive media should be individually tested for your application. Further details on request.

[Link to Product](#)

Illustration



Product may differ from Image



\* only for products with UL/CSA approved cable

Form

Form

74712

Technical Data	
Operating voltage	max. 60 V DC
Operating voltage (only UL listed)	25 V DC
Rated surge voltage	1.0 kV
Operating current per contact	max. 1.76 A (UL: 1.0 A)
Transfer parameters	CAT6A
Material group	IEC 60664-1, category I
Locking of ports	Snap-in connector
Protection	IP20
Material	PUR
Locking material	PA
suitable for corrugated tube (internal Ø)	without
General data	
Mounting method	inserted
Pollution Degree	3
Temperature range	-25...+85 °C, depending on cable quality
Cables	
No./diameter of wires	4x 2x AWG27/7
Wire isolation	FRNC (wh, bl, wh, or, wh, gn, wh, br)
Outer Ø	6.0 mm ±5%
Cable number	578
Material (wire)	Cu wire, bare
Shield	yes
Jacket Color	red
Temperature range (fixed)	-20...+60 °C
Temperature range (mobile)	0...+50 °C
Bend radius (moving)	5x outer Ø
Material (jacket)	FRNC
Product article number of manufacturer	7000-74712-5781800
Cable length	18 m