

RJ45 St. 0° / RJ45 St. 0°, Gigabit

FRNC/LS0H 4x2xAWG27 shielded ye UL 3m

Ethernet CAT6A

Male straight – male straight

RJ45 – RJ45, 8-pole

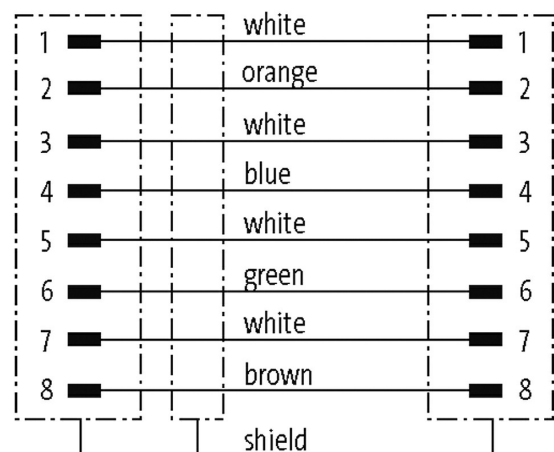
shielded

with cable sleeves

Further cable lengths on request.

Plastic housings with good resistance against chemicals and oils.

The resistance to aggressive media should be individually tested for your application. Further details on request.

[Link to Product](#)**Illustration**

Product may differ from Image

Approvals

* only for products with UL/CSA approved cable

More Info

EtherNet/IP

Form

Form 74712

Technical Data

Operating voltage	max. 60 V DC
Operating voltage (only UL listed)	25 V DC
Rated surge voltage	1.0 kV
Operating current per contact	max. 1.76 A (UL: 1.0 A)

Material group	IEC 60664-1, category I
Transfer parameters	CAT6A
Locking of ports	Snap-in connector
Protection	IP20
Locking material	PA
suitable for corrugated tube (internal Ø)	without

General data

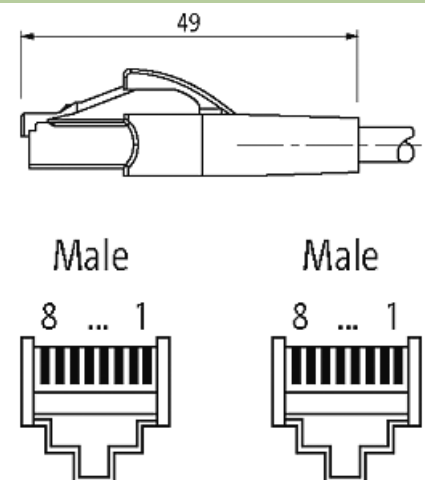
Mounting method	inserted
Pollution Degree	3
Temperature range	-25...+85 °C, depending on cable quality

Cables

Cable number	378
No./diameter of wires	4x 2x AWG27/7
Wire isolation	FRNC (wh, bl, wh, or, wh, gn, wh, br)
Jacket Color	yellow
Material (jacket)	FRNC
Outer Ø	6.0 mm ±5%
Bend radius (moving)	5x outer Ø
Temperature range (fixed)	-20...+60 °C
Temperature range (mobile)	0...+50 °C
Material (wire)	Cu wire, bare
Shield	yes
Color (jacket)	yellow

Commercial data

country of origin	HU
customs tariff number	85444210
EAN	4048879608589
eClass	27061801
Packaging unit	1

Sketch

Product may differ from Image