

**M12 male 0° / M12 female 0° shielded Y-cod.**

PUR AWG20/26 shielded gn UL/CSA/rob/drag ch 5m

Ethernet CAT5

Male straight – female straight

M12 – M12, 8-pole

Y-coded

shielded

Transmission properties with channel transmission up to 50 m

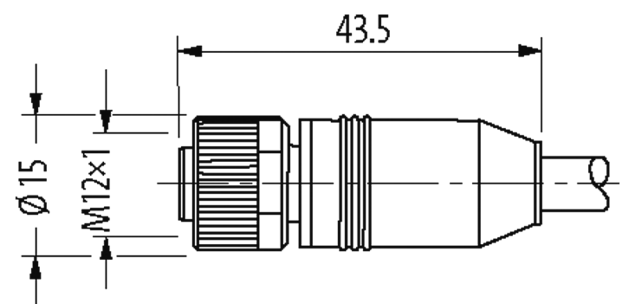
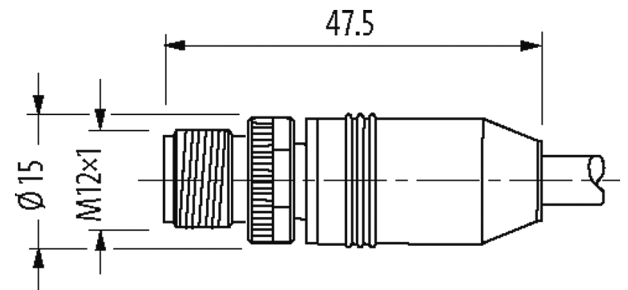
Further cable lengths on request.

Plastic housings with good resistance against chemicals and oils.

The resistance to aggressive media should be individually tested for your application. Further details on request.

[Link to Product](#)

**Illustration**



|   |   |              |     |
|---|---|--------------|-----|
| 1 | ■ | white/orange | C 1 |
| 2 | ■ | orange       | C 2 |
| 3 | ■ | white/green  | C 3 |
| 4 | ■ | green        | C 4 |
| 5 | ■ | blue         | C 5 |
| 6 | ■ | white        | C 6 |
| 7 | ■ | brown        | C 7 |
| 8 | ■ | black        | C 8 |
|   |   | shield       |     |

Product may differ from Image

### Approvals



\* only for products with UL/CSA approved cable

### Form

Form 47051

### Technical Data

Operating voltage max. 50 V AC/DC

Operating voltage (only UL listed) max. 30 V AC/DC

Rated surge voltage 0.8 kV

Operating current per contact 0.5 A (Data), 6 A (Power)

The information in this brochure has been compiled with the utmost care.

Liability for the correctness completeness and topicality of the information is restricted to gross negligence. Version: 02/21

Murrelektronik GmbH | Falkenstraße 3 | 71570 Oppenweiler | Fon +49 (71 91) 47-0 | Fax +49 (71 91) 47-491000 | shop@murrelektronik.com | shop.murrelektronik.com

|                     |  |
|---------------------|--|
| Material group      | IEC 60664-1, category I  |
| Transfer parameters | CAT5e, Class D (ISO/IEC 11801)                                   |
| Transfer rate       | up to 100 Mbit/s full duplex                                     |
| Coding              | Y-coded  |
| Locking of ports    | Screw thread (M12×1 mm) recommended torque 0.6 Nm, self-securing |
| Compression gland   | M12 (SW13)   |
| Protection          | IP65, IP66K, IP67 inserted and tightened (EN 60529)              |
| Locking material    | Zinc die casting, matte nickel plated                            |
| Material            | PUR  |

#### General data

|                   |  |
|-------------------|--|
| Pollution Degree  | 3  |
| Temperature range | -25...+85 °C, depending on cable quality |

#### Cables

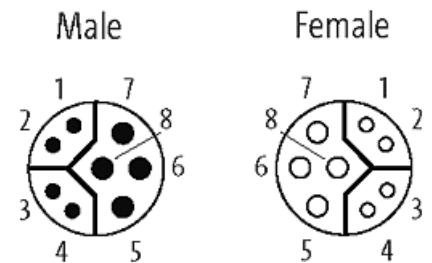
|                                    |  |
|------------------------------------|--|
| Cable number                       | 831  |
| No./diameter of wires              | 4× 0.5 + 1× 4× 0.14 mm <sup>2</sup>  |
| Wire isolation                     | PUR (bl, wh, br, bk, (whor, or)) + (whgn, gn)  |
| C-track properties                 | 5 Mio.   |
| Jacket Color                       | green  |
| Material (jacket)                  | PUR (UL/CSA)   |
| Outer Ø                            | 8.1 mm ±5%   |
| Bend radius (moving)               | 10× outer Ø  |
| Temperature range (fixed)          | -50...+80 °C   |
| Temperature range (mobile)         | -40...+80 °C   |
| Cable identification               | 831  |
| Approval (cable)                   | UL (AWM-Style 20233/10493), CSA; CE conform  |
| Cable weight [g/m]                 | 107,8  |
| Diameter (core)                    | 4× 0.5 + 1× 4× 0.14 mm <sup>2</sup>  |
| Material (wire isolation)          | PP   |
| Material property (wire isolation) | CFC-, halogen-, cadmium-, silicone- and lead-free  |
| Shore hardness (wire isolation)    | 55 ±5 D  |
| Color/numbering of wires           | (bk, br, wh, bl), (whor, or, whgn, gn)   |
| Shield                             | yes  |
| optical shield cover               | min. 85%   |
| Material (jacket)                  | PUR  |
| Material property (jacket)         | CFC-, halogen-, cadmium-, silicone- and lead-free, matt, low-adhesion, machine easy to process, abrasion-resistant, hydrolysis and microbial resistant |
| Shore hardness (jacket)            | 90 ±5 A  |
| Outer-Ø (jacket)                   | 8.1 mm ±5%   |
| Color (jacket)                     | green  |
| chemical resistance                | good resistance to oil, gasoline and chemicals (VDE 0472 Teil 803 Test B)  |
| thermal resistance                 | flame retardant UL 1581 VW1 / CSA FT1 / IEC 60332-1, IEC 60332-2-2   |
| Nominal voltage                    | 60 V AC  |
| Test voltage                       | 1000 V AC  |
| Current load capacity              | to DIN VDE 0298-4  |
| Temperature range (fixed)          | -50...+80 °C   |
| Temperature range (mobile)         | -40...+80 °C, (+90 °C at max. 10 000 operating hours)  |
| Bend radius (fixed)                | 5× outer Ø   |
| Bend radius (moving)               | 10× outer Ø  |

|                                 |                         |
|---------------------------------|-------------------------|
| No. of bending cycles (C-track) | max. 5 Mio. (25 °C)     |
| Traversing distance (C-track)   | max. 5 m (horizontal)   |
| Travel speed (C-track)          | max. 3.3 m/s            |
| Acceleration (C-track)          | max. 5 m/s <sup>2</sup> |
| Torsion stress                  | ±30 °/m                 |
| No. of torsion cycles           | max. 2 Mio. (25 °C)     |
| Torsion speed                   | 35 cycles/min           |

#### Commercial data

|                       |               |
|-----------------------|---------------|
| country of origin     | DE            |
| customs tariff number | 85444290      |
| EAN                   | 4048879716192 |
| eClass                | 27279218      |
| Packaging unit        | 1             |

#### Sketch



Product may differ from Image