

Adaptor M12 female / RJ45 90°

4-pol., shielded, CAT5

Ethernet CAT5

Control cabinet entry system

Female straight – female 90°

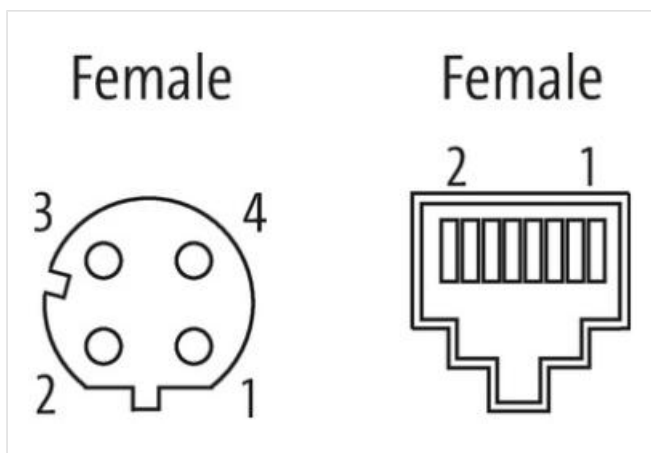
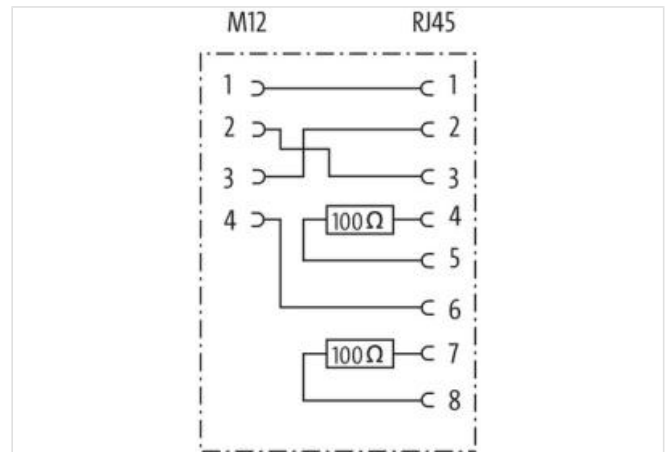
M12 – RJ45, 4-pole

D-coded

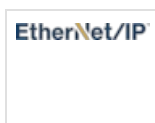
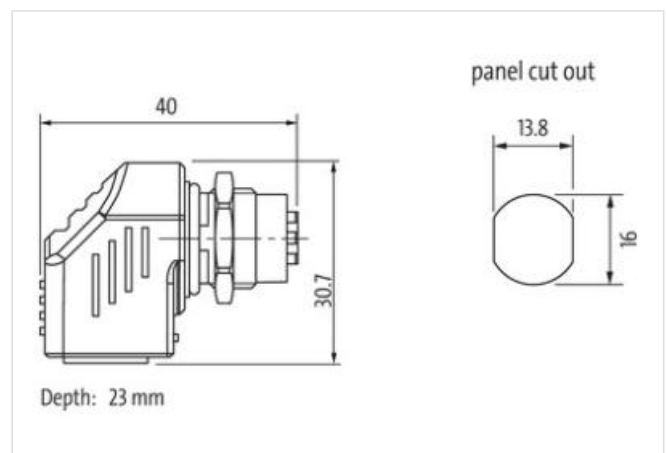
shielded

Plastic housings with good resistance against chemicals and oils.

The resistance to aggressive media should be individually tested for your application. Further details on request.

[Link to Product](#)**Illustration**

Product may differ from Image

**Form**

Form

44681

Technical Data

| | |
|-------------------------------|--|
| Operating voltage | max. 60 V DC |
| Operating current per contact | max. 1.76 A |
| Transfer parameters | CAT5, Class D (ISO/IEC 11801:2002), (EN 50173-1) |
| Transfer rate | up to 100 Mbit/s full duplex |
| Coding | M12, D-coded |
| Protection | IP68 (M12) - IP20 (RJ45) |
| Material | PUR |
| Locking material | Brass, chrome plated |

General data

| | |
|--------------------------|--------------|
| Temperature range | -25...+85 °C |
| Mounting plate thickness | 2...5 mm |

| | |
|--|--------------------|
| Product article number of manufacturer | 7000-44681-0000000 |
|--|--------------------|