

**M12 male 0° / M12 male 90° D-cod. shielded**

PUR 1x4xAWG22 shielded gn UL/CSA+drag ch. 13m

Ethernet CAT5

Male 90° – male straight

M12 – M12, 4-pole

D-coded

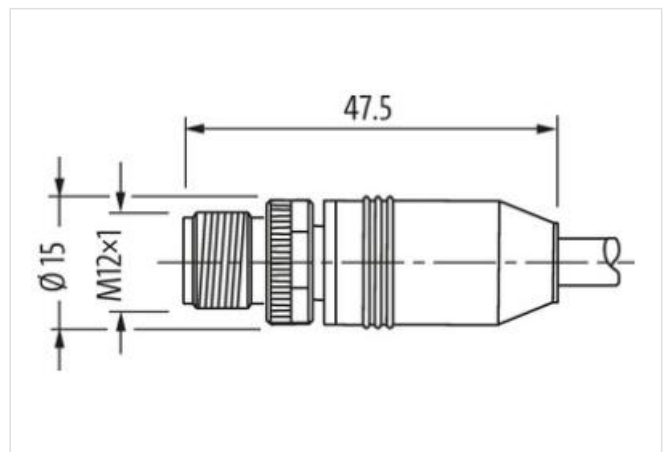
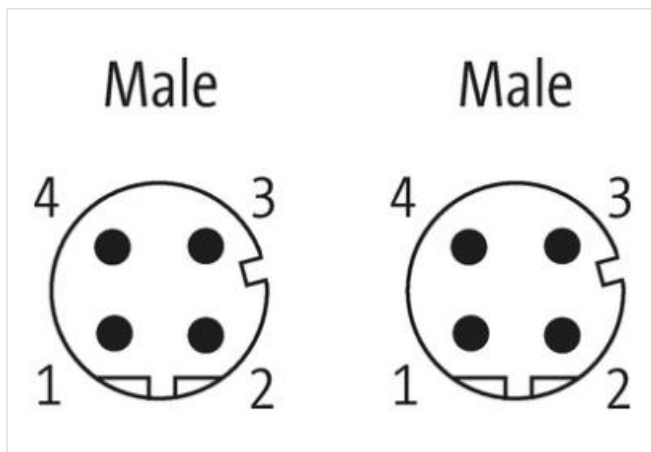
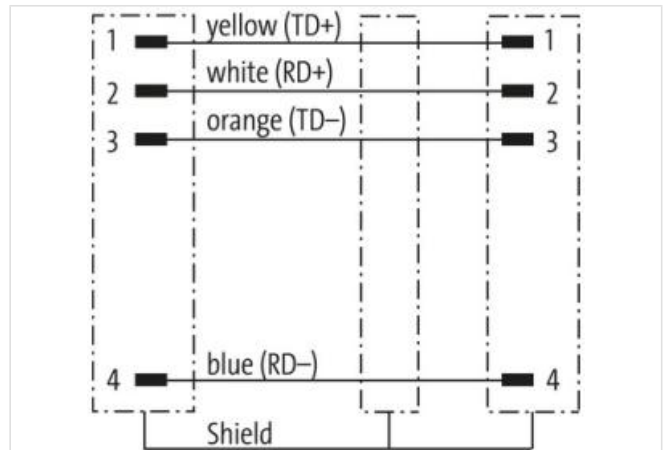
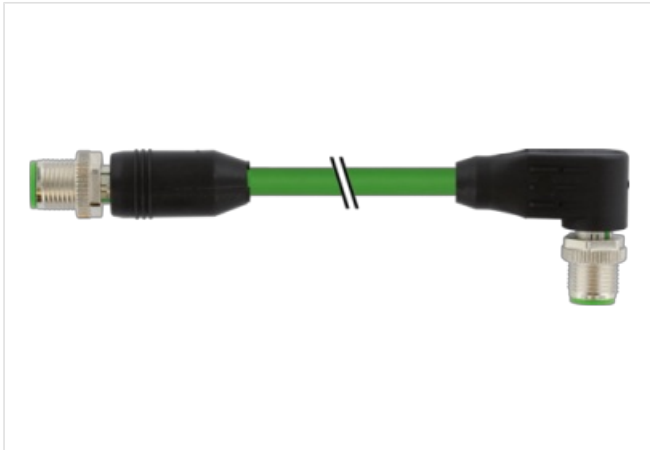
shielded

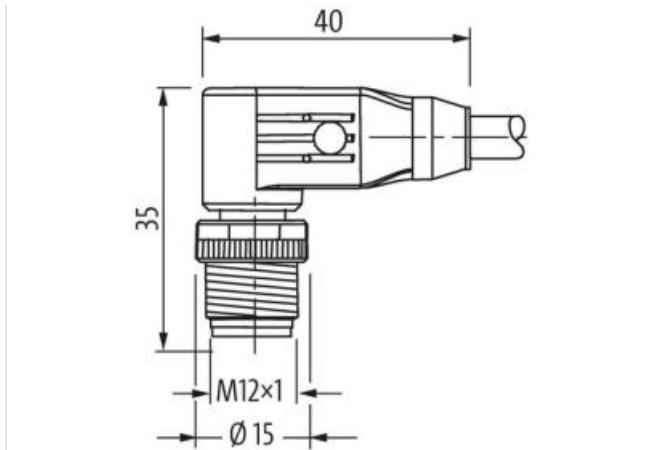
Transmission properties with channel transmission up to 100 m

Further cable lengths on request.

Plastic housings with good resistance against chemicals and oils.

The resistance to aggressive media should be individually tested for your application. Further details on request.

[Link to Product](#)**Illustration**



Product may differ from Image



\* only for products with UL/CSA approved cable

| Form                                      |  |
|---|--|
| Form                                      | 44541  |
| Technical Data                            |  |
| Operating voltage                         | max. 60 V DC   |
| Rated surge voltage                       | 1.5 kV   |
| Operating current per contact             | max. 1.5 A   |
| Transfer parameters                       | CAT5, Class D (ISO/IEC 11801:2002), (EN 50173-1)                 |
| Transfer rate                             | up to 100 Mbit/s full duplex                                     |
| Material group                            | IEC 60664-1, category I  |
| Coding                                    | M12, D-coded   |
| Locking of ports                          | Screw thread (M12×1 mm) recommended torque 0.6 Nm, self-securing |
| Protection                                | IP65, IP66K, IP67 inserted and tightened (EN 60529)              |
| Material                                  | PUR  |
| Locking material                          | Zinc die casting, matte nickel plated                            |
| suitable for corrugated tube (internal Ø) | without  |
| Compression gland                         | M12 (SW13)   |
| General data                              |  |
| Standards                                 | DIN EN 61076-2-101 (M12)   |
| Pollution Degree                          | 3  |
| Temperature range                         | -25...+85 °C, depending on cable quality                         |
| Cables                                    |  |
| Cable identification                      | 796  |
| Approval (cable)                          | cURus (AWM-Style 20549/11602), CE-conform                        |
| Cable weight [g/m]                        | 69,3 g   |
| Material (wire)                           | Cu wire, bare  |
| Resistor (core)                           | max. 55 Ω/km (20 °C)   |
| Construction (core)                       | 7× 0.254 mm  |
| Diameter (core)                           | 1× 4× AWG22/7  |
| Material (wire isolation)                 | PE   |

The information in this brochure has been compiled with the utmost care.

Liability for the correctness completeness and topicality of the information is restricted to gross negligence. Version: 2022-12-30

|  |  |
|--|--|
| Wire-Ø incl. isolation                 | 1.4 mm ±5%   |
| Color/numbering of wires               | wh, ye, bl, or   |
| Shield                                 | yes  |
| Shield (Type)                          | Copper braid   |
| optical shield cover                   | min. 85%   |
| Material (jacket)                      | PUR  |
| Material property (jacket)             | CFC-, halogen-, cadmium-, silicone- and lead-free, matt, low-adhesion, machine easy to process, abrasion-resistant, hydrolysis and microbial resistant |
| Outer-Ø (jacket)                       | 6.7 mm ±5%   |
| Color (jacket)                         | green  |
| chemical resistance                    | Oil resistance according to IEC 60811-2-1, ASTM IRM 901, ICEA S-82-552 Std.  |
| thermal resistance                     | flame-retardant according to UL 1581 section 1090, section 1100 (FT2), IEC 60332-1-2 Std.  |
| Nominal voltage                        | 300 V  |
| Test voltage                           | 2000 V AC (test duration 1 min)  |
| Temperature range (fixed)              | -40...+80 °C   |
| Temperature range (mobile)             | -30...+70 °C   |
| Bend radius (fixed)                    | 5× outer Ø   |
| Bend radius (moving)                   | 12× outer Ø  |
| No. of bending cycles (C-track)        | max. 3 Mio. (25 °C)  |
| Traversing distance (C-track)          | max. 5 m (horizontal)  |
| Travel speed (C-track)                 | max. 3.3 m/s   |
| Acceleration (C-track)                 | max. 2 m/s <sup>2</sup>  |
| Torsion stress                         | ±180°/m  |
| No. of torsion cycles                  | max. 1 Mio. (25 °C)  |
| <hr/>                                  |  |
| Product article number of manufacturer | 7000-44541-7961300   |
| Cable length                           | 13 m   |