

**T-Coupler M12 male / 2x M12 female A-cod. shielded**

5-pol. / 2x 5-pol.

T-coupler

Male straight – females straight

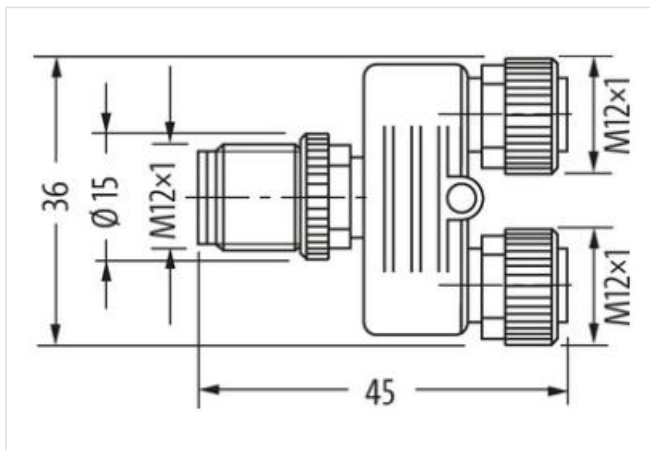
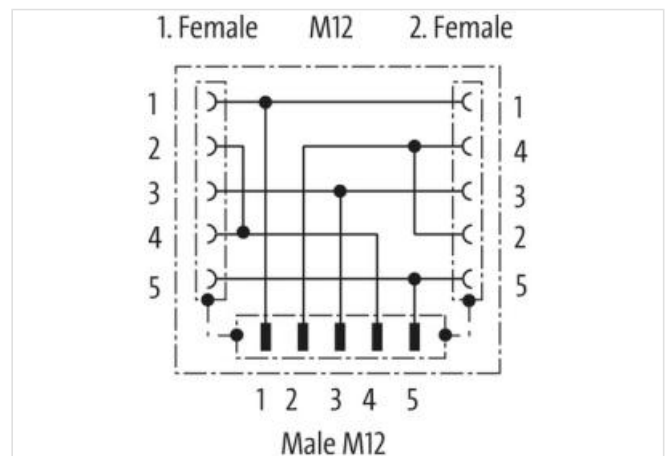
M12 – M12, 5-pole

shielded

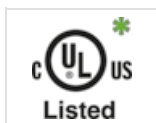
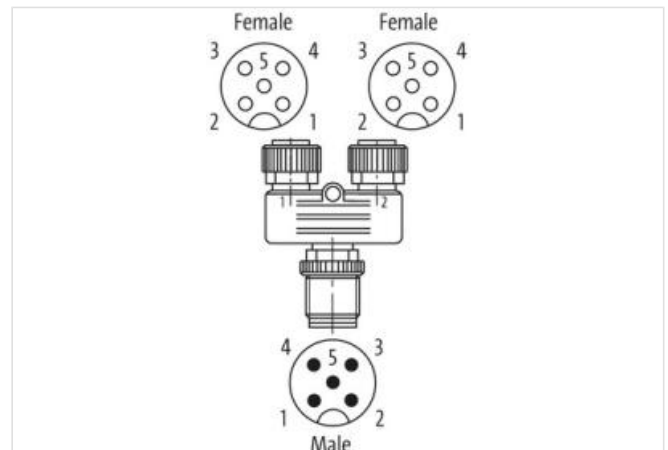
Distribution function (NO)

Plastic housings with good resistance against chemicals and oils.

The resistance to aggressive media should be individually tested for your application. Further details on request.

**[Link to Product](#)****Illustration**

Product may differ from Image



\* only for products with UL/CSA approved cable

**Form**

Form 42181

**Technical Data**

Operating voltage max. 60 V AC/DC

Operating voltage (only UL listed)	max. 30 V AC/DC
Operating current per contact	max. 4 A
Locking of ports	Screw thread (M12×1 mm) recommended torque 0.6 Nm, self-securing
Protection	IP67 inserted and tightened (EN 60529)

**General data**

Temperature range	-25...+85 °C
Product article number of manufacturer	7000-42181-0000000