

## MSUD VALVE PLUG FORM A 18MM

PUR 3X0.75 black 20m

MSUD

Form A (18 mm)

230 V AC/DC  $\pm 10\%$

LED and suppression

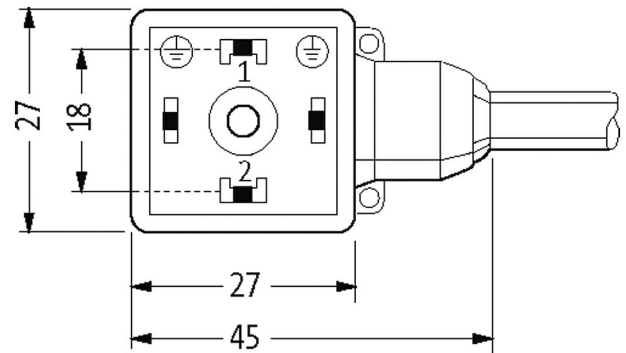
Further cable lengths on request.

Plastic housings with good resistance against chemicals and oils.

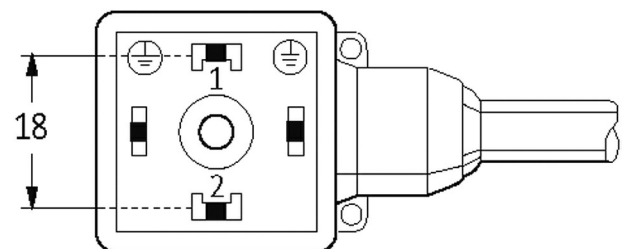
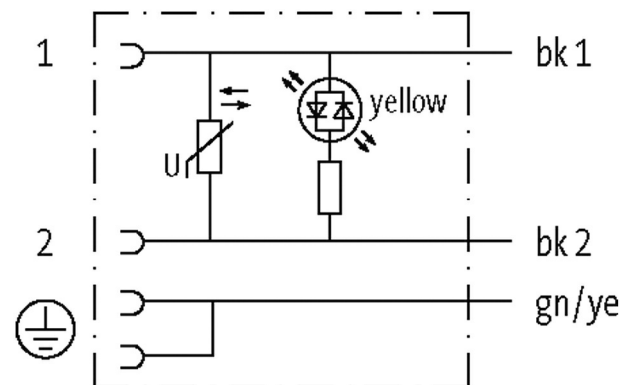
The resistance to aggressive media should be individually tested for your application. Further details on request.

### [Link to Product](#)

Illustration



Height: 30 mm



Product may differ from Image

**Approvals**

cCSAus

\* only for products with UL/CSA approved cable

**Form**

Form 18061

**Technical Data**

|                               |  |
|-------------------------------|--|
| Operating voltage             | 230 V AC/DC $\pm 10\%$                 |
| Operating current per contact | max. 4 A                               |
| Switch off peak               | max. 560 V                             |
| Switch off delay time         | max. 20 ms                             |
| Locking of ports              | M3 (recommended torque 0.4 Nm)         |
| Housing                       | Black plastic (gray on request)        |
| Protection                    | IP67 inserted and tightened (EN 60529) |

**General data**

|                   |  |
|-------------------|--|
| Temperature range | -25...+85 °C, depending on cable quality |
|-------------------|--|

**Cables**

|                                    |  |
|------------------------------------|--|
| No./diameter of wires              | 3 x 0.75 mm <sup>2</sup>   |
| Wire isolation                     | PVC (bk num, gnye)   |
| C-track properties                 | 2 Mio.   |
| Material (jacket)                  | PUR/PVC (UL/CSA)   |
| Outer Ø                            | 5.9 mm $\pm 5\%$   |
| Bend radius (moving)               | 15 x outer Ø   |
| Temperature range (fixed)          | -30...+80 °C   |
| Temperature range (mobile)         | -5...+80 °C  |
| Cable identification               | 626  |
| Cable Type                         | 2 (PUR/PVC)  |
| Approval (cable)                   | UL (AWM-Style 20549/1731), CSA; CE conform   |
| Cable weight [g/m]                 | 55,33  |
| Material (wire)                    | Cu wire, bare  |
| Resistor (core)                    | max. 26 $\Omega$ /km (20 °C)   |
| Single wire Ø (core)               | 0.15 mm  |
| Construction (core)                | 42 x 0.15 mm (multi-strand wire class 6)   |
| Diameter (core)                    | 3 x 0.75 mm <sup>2</sup>   |
| AWG                                | similar to AWG 18  |
| Material (wire isolation)          | PVC  |
| Material property (wire isolation) | CFC-, cadmium-, silicone- and lead-free  |
| Shore hardness (wire isolation)    | 43 $\pm 5$ D   |
| Wire-Ø incl. isolation             | 1.8 mm $\pm 5\%$   |
| Color/numbering of wires           | bk numbered, gnye longitudinally striped   |
| Stranding combination              | 3 wires twisted  |
| Shield                             | no   |
| Material (jacket)                  | PUR/PVC  |
| Material property (jacket)         | CFC-, halogen-, cadmium-, silicone- and lead-free, matt, low-adhesion, machine easy to process, abrasion-resistant, hydrolysis and microbial resistant |
| Shore hardness (jacket)            | 80 $\pm 5$ A (PVC-under jacket); 85 $\pm 5$ A (PUR-jacket)   |
| Outer-Ø (jacket)                   | 5.9 mm $\pm 5\%$   |
| Color (jacket)                     | black  |
| chemical resistance                | good resistance to oil, gasoline and chemicals   |
| Nominal voltage                    | UL 300 V AC  |
| Test voltage                       | 2000 V AC  |
| Current load capacity              | to DIN VDE 0298-4  |
| Temperature range (fixed)          | -30...+80 °C   |

|                                 |                         |
|---------------------------------|-------------------------|
| Temperature range (mobile)      | -5...+80 °C             |
| Bend radius (fixed)             | 10× outer Ø             |
| Bend radius (moving)            | 15× outer Ø             |
| No. of bending cycles (C-track) | max. 2 Mio. (25 °C)     |
| Traversing distance (C-track)   | max. 5 m (horizontal)   |
| Travel speed (C-track)          | max. 3.3 m/s            |
| Acceleration (C-track)          | max. 5 m/s <sup>2</sup> |
| Jacket Color                    | black                   |

**Commercial data**

|                       |               |
|-----------------------|---------------|
| country of origin     | CZ            |
| customs tariff number | 85444290      |
| EAN                   | 4048879192279 |
| eClass                | 27279218      |
| Packaging unit        | 1             |