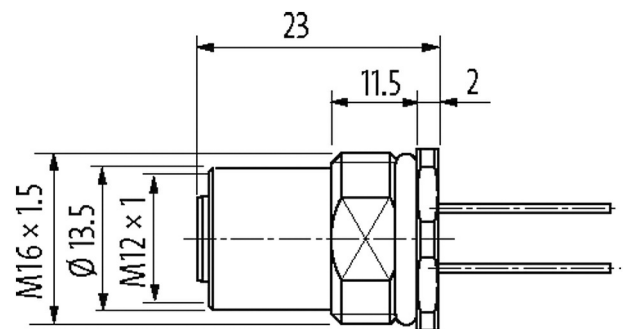
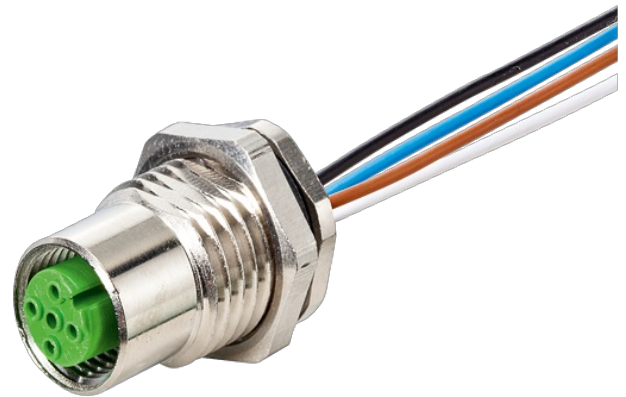


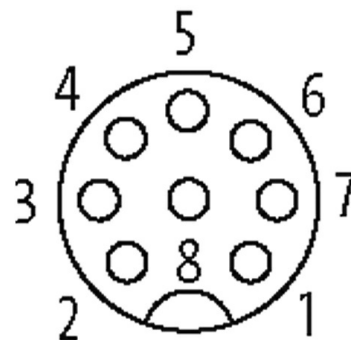
M12 FEMALE FLANGE PLUG A CODED REAR MOUNT

Wires Litzen 8x0,34 0.5m

Flange female
M12, 8-pole
Rear mounting
with multi-strand wire

[Link to Product](#)**Illustration**

Female



Product may differ from Image

Approvals

**Form**

Form 17185

Technical Data

Operating voltage max. 30 V AC/DC

Rated surge voltage 0.8 kV

Operating current per contact max. 2 A

No. of poles 8

Material group IEC 60664-1, category I

Coding A-coded

LED display no

Locking of ports Screw thread (M12×1 mm) recommended torque 0.6 Nm, self-securing

Compression gland M12 (SW14)

Protection IP67 inserted and tightened (EN 60529)

Protection NEMA 3, 4, 6P (UL 50E)

Locking material Brass, nickel plated

General data

Pollution Degree 3

Temperature range -25...+85 °C

Cables

Cable number 985

No./diameter of wires 8× 0.34 mm²

Wire isolation PP (wh, br, gn, ye, gr, pk, bl, rd)

C-track properties 5 Mio.

Torsion stress 2 Mio. ±180°/m

Outer Ø 1.25 mm ±5%

Bend radius (fixed) 5× outer Ø

Bend radius (moving) 10× outer Ø

Temperature range (fixed) -40...+80 °C

Temperature range (mobile) -25...+80 °C

Commercial data

country of origin DE

customs tariff number 85444290

EAN 4048879402224

eClass 27279220

Packaging unit 1

Sketch

1	⌋	white
2	⌋	brown
3	⌋	green
4	⌋	yellow
5	⌋	gray
6	⌋	pink
7	⌋	blue
8	⌋	red

Product may differ from Image