

**M12 female 0° shielded B-cod. with cable, Profibus**

PVC 1x2xAWG24 shielded vt UL/CSA 5m

PROFIBUS

Female straight

M12, 2-pole

B-coded

shielded

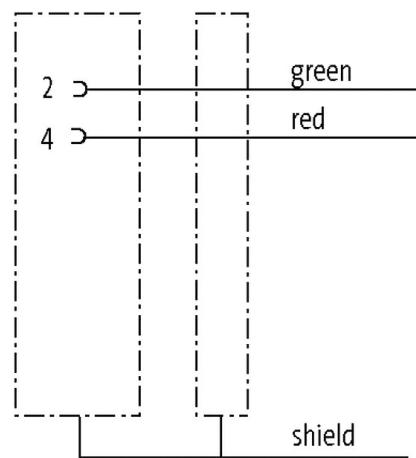
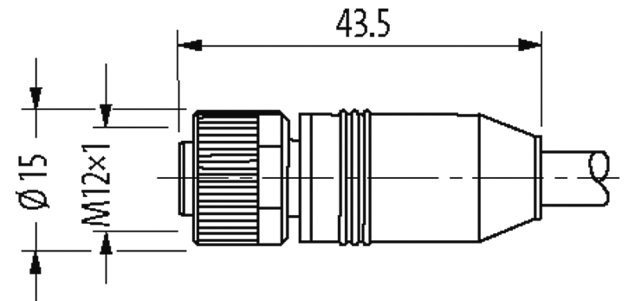
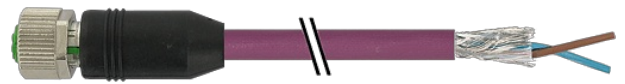
Plastic housings with good resistance against chemicals and oils.

The resistance to aggressive media should be individually tested for your application. Further details on request.

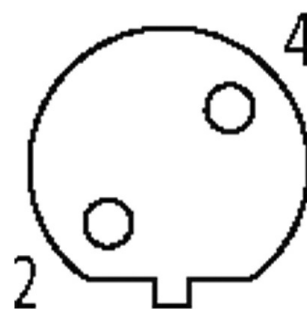
Further cable lengths on request.

[Link to Product](#)

Illustration



Female



Product may differ from Image

**Approvals**



\* only for products with UL/CSA approved cable

cCSAus

**More Info**



| Form                               |  |
|------------------------------------|--|
| Form                               | 14061  |
| Technical Data                     |  |
| Operating voltage                  | max. 60 V AC/DC  |
| Operating voltage (only UL listed) | max. 30 V AC/DC  |
| Rated surge voltage                | 1.5 kV   |
| Operating current per contact      | max. 4 A   |
| Material group                     | IEC 60664-1, category I  |
| Coding                             | B-coded  |
| Locking of ports                   | Screw thread (M12×1 mm) recommended torque 0.6 Nm, self-securing |
| Compression gland                  | M12 (SW13)   |
| Protection                         | IP65, IP66K, IP67 inserted and tightened (EN 60529)              |
| Locking material                   | Zinc die casting, matte nickel plated                            |
| Material                           | PUR  |
| General data                       |  |
| Standards                          | DIN EN 61076-2-101 (M12)   |
| Pollution Degree                   | 3  |
| Stripping length (jacket)          | 20 mm  |
| Temperature range                  | -25...+85 °C, depending on cable quality                         |
| Cables                             |  |
| No./diameter of wires              | 1 × 2 × 0.25 mm <sup>2</sup>                                     |
| Wire isolation                     | PE (rd, gn)  |
| C-track properties                 | 2 Mio.   |
| Material (jacket)                  | PVC (UL)   |
| Outer Ø                            | 7.8 mm ±5%   |
| Bend radius (moving)               | 12 × outer Ø   |
| Temperature range (fixed)          | -25...+70 °C   |
| Temperature range (mobile)         | -20...+50 °C   |
| Cable identification               | 850  |
| Cable weight [g/m]                 | 75,90  |
| Material (wire)                    | Cu wire, bare  |
| Resistor (core)                    | max. 68 Ω/km (20 °C)   |
| Single wire Ø (core)               | 0.13 mm  |
| Construction (core)                | 19 × 0.13 mm   |
| Diameter (core)                    | 1 × 2 × 0.25 mm <sup>2</sup>                                     |
| AWG                                | similar to AWG 24  |
| Material (wire isolation)          | PE   |
| Wire-Ø incl. isolation             | 2.55 mm ±5%  |
| Color/numbering of wires           | rd, gn   |
| Shield                             | yes  |
| optical shield cover               | min. 70%   |
| Material (jacket)                  | PVC  |
| Outer-Ø (jacket)                   | 7.8 mm ±5%   |
| Color (jacket)                     | violet   |

|                                 |                         |
|---------------------------------|-------------------------|
| Nominal voltage                 | 30 V AC                 |
| Test voltage                    | 1.5 kV                  |
| Temperature range (fixed)       | -25...+70 °C            |
| Temperature range (mobile)      | -20...+50 °C            |
| Bend radius (fixed)             | 7.5× outer Ø            |
| Bend radius (moving)            | 12× outer Ø             |
| No. of bending cycles (C-track) | max. 2 Mio. (25 °C)     |
| Traversing distance (C-track)   | max. 5 m (horizontal)   |
| Travel speed (C-track)          | max. 3 m/s              |
| Acceleration (C-track)          | max. 5 m/s <sup>2</sup> |
| Jacket Color                    | violet                  |

**Commercial data**

|                       |               |
|-----------------------|---------------|
| country of origin     | DE            |
| customs tariff number | 85444290      |
| EAN                   | 4048879464888 |
| eClass                | 27061801      |
| Packaging unit        | 1             |