

M12 MALE 90° B CODED SHIELDED WIREABLE SCREW TERM.5 POLE max. 0.75mm² 6-8mm PROFIBUS

PROFIBUS, Interbus

Male 90°

M12, 5-pole

B-coded

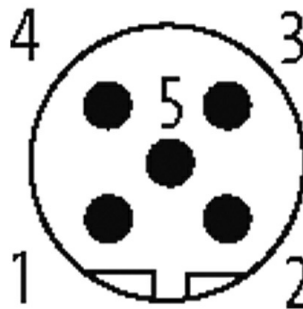
shielded

Screw terminals

Sealing range (cable Ø): 6...8 mm

[Link to Product](#)**Illustration**

Male



Product may differ from Image

Approvals**Form**

Form 14011

Technical Data

Operating voltage max. 60 V AC/DC

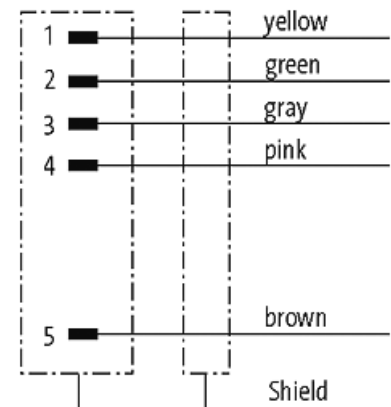
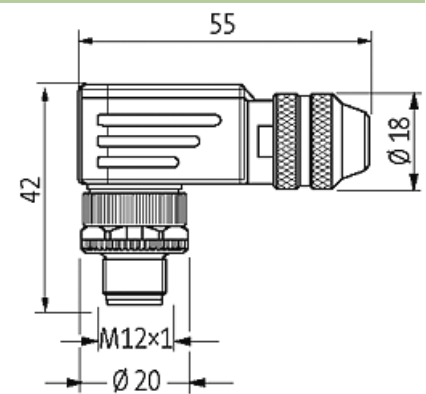
Operating current per contact	max. 4 A
Connection cross section	max. 0.75 mm ²
Sealing range (cable Ø)	6...8 mm
Protection	IP67 inserted and tightened (EN 60529)
Housing	Brass, nickel plated

General data

Temperature range	-40...+85 °C
-------------------	--------------

Commercial data

country of origin	DE
customs tariff number	85366990
EAN	4048879198639
eClass	27279221
Packaging unit	1

Sketch

Product may differ from image