

**MST 1-PHASE CONTROL AND ISOLATION TRANSFORMER**

P: 630VA IN: 230/400VAC OUT: 230VAC

Single-phase - Control and Isolation Transformers  
 630 VA  
 Spring clamp terminals  
 Isolation class T 40/B  
 Other voltages on request.

[Link to Product](#)**Illustration**

Product may differ from Image

**Approvals****General data**

Standards	EN 61558-1, EN 61558-2-4, EN 62041 category 0
Test isolation voltage	4 kV (prim./sec.)
Mounting method	Key-hole mounting
Temperature range	-20...+40 °C (storage temperature -40...+80 °C)
Dimensions H×W×D	112.5×150×144.6 mm
Fixing centers a×b×c	90.6×122×7 mm
Drill hole Ø	7×11 mm

**Output**

Output voltage	230 V AC
Output rating	630 VA

**Input**

Input voltage	230/400 V AC
Frequency	50...60 Hz
Input current	2.95 A (230 V AC); 1.7 A (400 V AC)
Inrush current	37 A (230 V AC); 21 A (400 V AC)
Short-circuit current	77 A (230 V AC); 44 A (400 V AC)

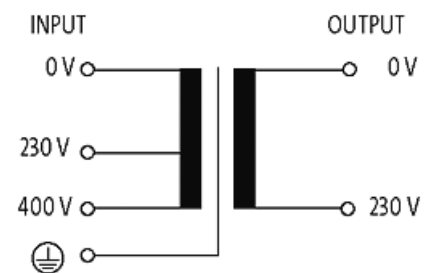
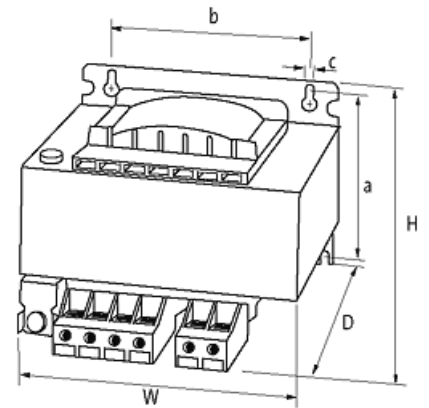
The information in this brochure has been compiled with the utmost care.

Liability for the correctness completeness and topicality of the information is restricted to gross negligence. Version: 02/21

Murrelektronik GmbH | Falkenstraße 3 | 71570 Oppenweiler | Fon +49 (71 91) 47-0 | Fax +49 (71 91) 47-491000 | shop@murrelektronik.com | shop.murrelektronik.com

**Commercial data**

country of origin	CZ
customs tariff number	85043180
EAN	4048879066211
eClass	27031302
Packaging unit	1

**Sketch**

Product may differ from Image