

MST 1-PHASE CONTROL AND ISOLATION TRANSFORMER

P: 320VA IN: 230/400VAC OUT: 230VAC

Single-phase - Control and Isolation Transformers
 320 VA
 Spring clamp terminals
 Isolation class T 40/B
 Other voltages on request.

[Link to Product](#)

Illustration



Product may differ from Image

Approvals



General data

Standards	EN 61558-1, EN 61558-2-4, EN 62041 category 0
Test isolation voltage	4 kV (prim./sec.)
Mounting method	Key-hole mounting
Temperature range	-20...+40 °C (storage temperature -40...+80 °C)
Dimensions H×W×D	92.2×120×122.4 mm
Fixing centers a×b×c	74.4×90×5.8 mm
Drill hole Ø	5.8×10 mm

Output

Output voltage	230 V AC
Output rating	320 VA

Input

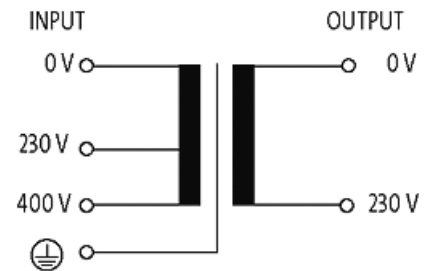
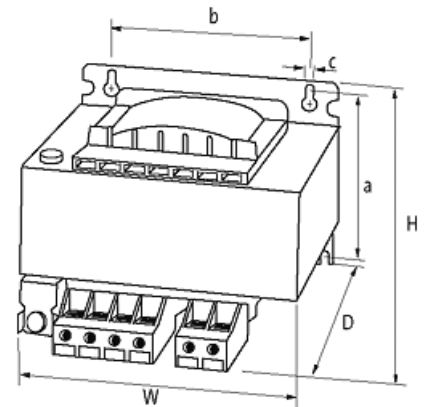
Input voltage	230/400 V AC
Frequency	50...60 Hz
Input current	1.52 A (230 V AC); 0.88 A (400 V AC)
Inrush current	17.5 A (230 V AC); 10.1 A (400 V AC)

Short-circuit current 28 A (230 V AC); 16.1 A (400 V AC)

Commercial data

country of origin	CZ
customs tariff number	85043180
EAN	4048879066242
eClass	27031302
Packaging unit	1

Sketch



Product may differ from Image