

MET 1-PHASE CONTROL AND ISOLATION TRANSFORMER

P: 800VA IN: 400VAC+/- 5% OUT: 230VAC

Single-phase - Control and Isolation Transformers
800 VA
Spring clamp terminals
Isolation class T 60/B

[Link to Product](#)

Illustration



Product may differ from Image

Approvals



General data

| | |
|------------------------|---|
| Standards | EN 61558-1, EN 61558-2-4, EN 62041 category 0 |
| Test isolation voltage | 4 kV (prim./sec.) |
| Dimensions H×W×D | 118×175×160 mm |
| Fixing centers a×b×c | 92×135×7 mm |
| Drill hole Ø | 7×11 mm |
| Mounting method | Key-hole mounting |
| Temperature range | -20...+60 °C (storage temperature -40...+80 °C) |

Output

| | |
|----------------|----------|
| Output voltage | 230 V AC |
| Output rating | 800 VA |

Input

| | |
|-----------------------|--------------------|
| Input voltage | 400 V AC ±5% |
| Frequency | 50...60 Hz |
| Input current | 2.15 A (400 V AC) |
| Short-circuit current | 83.99 A (400 V AC) |
| Inrush current | 30.07 A (400 V AC) |

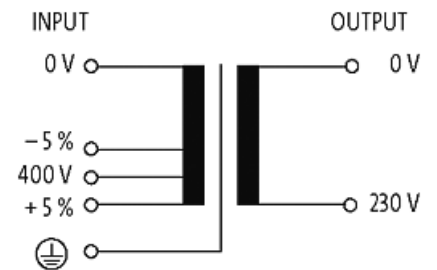
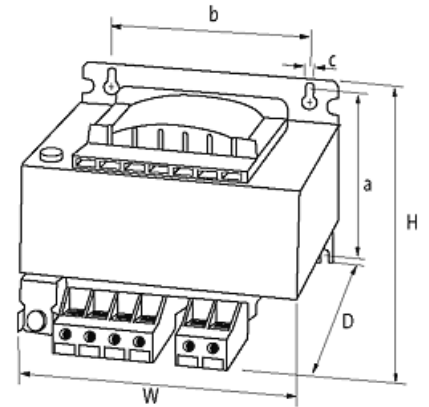
Commercial data

The information in this brochure has been compiled with the utmost care.
Liability for the correctness completeness and topicality of the information is restricted to gross negligence. Version: 02/21

Murrelektronik GmbH | Falkenstr. 3 | 71570 Oppenweiler | Fon +49 (71 91) 47-0 | Fax +49 (71 91) 47-491000 | shop@murrelektronik.com | shop.murrelektronik.com

| | |
|-----------------------|---------------|
| country of origin | CZ |
| customs tariff number | 85043180 |
| EAN | 4048879066433 |
| eClass | 27031302 |
| Packaging unit | 1 |

Sketch



Product may differ from Image